

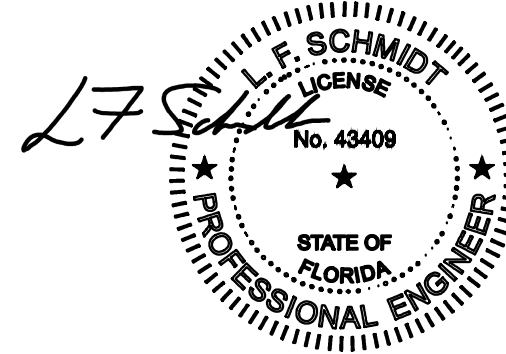
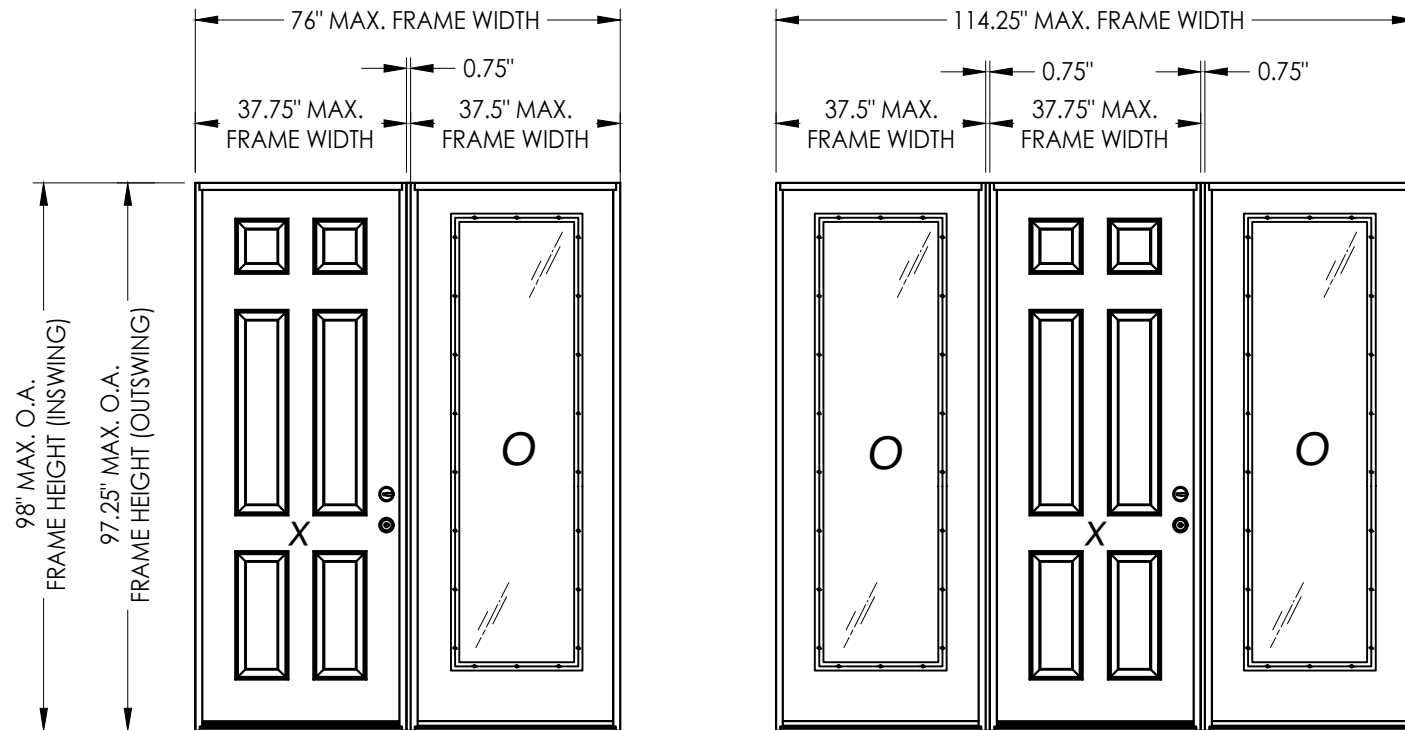
THERMA TRU[®] DOORS

Fiber-Classic[®] & Smooth-Star[®]

WOOD EDGE OPAQUE FIBERGLASS SINGLE DOOR w/ SIDELITE(S) IN SWING/OUT SWING "IMPACT"

GENERAL NOTES

- This product has been evaluated and is in compliance with the 8th Edition (2023) Florida Building Code (FBC) structural requirements excluding the "High Velocity Hurricane Zone" (HVHZ).
- Product anchors shall be as listed and spaced as shown on details. Anchor embedment to base material shall be beyond wall dressing or stucco.
- When used in areas requiring wind borne debris protection this product complies with FBC Sections 1609.1.2 & R301.2.1.2 and does not require an impact resistant covering. This product meets missile level "D" and includes Wind Zone 4 as defined in ASTM E1996 and FBC Sections 1609.1.2.2 & R301.2.1.2.1.
- For 2x stud framing construction, anchoring of these units shall be the same as that shown for 2x buck masonry construction.
- Site conditions that deviate from the details of this drawing require further engineering analysis by a licensed engineer or registered architect.
- Fiber-Classic & Smooth-Star Door and Sidelite panels require the use of "J" part numbers and must be stained or painted within six months of installation.



This item has been digitally signed and sealed by L. F. Schmidt, P.E. on the date adjacent to the seal. Printed copies of this document are not considered signed and sealed and the signature must be verified on any electronic copies.

THIS PRODUCT APPROVAL IS VALID ONLY FOR THE STATE OF FLORIDA

TABLE OF CONTENTS	
SHEET #	DESCRIPTION
1	Typical Elevations, Design Pressures & General Notes
2	Door Panel Details
3	Sidelite Panel Details
4	Elevations
5	Horizontal & Vertical Cross Sections (2X Buck)
6	Horizontal & Vertical Cross Sections (1X Buck)
7	Horizontal & Vertical Cross Sections (Direct to Masonry)
8	Vertical Cross Sections (Thresholds)
9	Buck Anchoring
10	Frame Anchoring
11	Hardware Details
12	Glazing Details
13	Components
14	Bill of Materials

CONFIGURATION	DESIGN PRESSURE (PSF) INSWING		DESIGN PRESSURE (PSF) OUTSWING	
	POSITIVE	NEGATIVE	POSITIVE	NEGATIVE
XO, OX, OXO	+50.0	-50.0	+50.0	-50.0

See Sheet 4 for Hardware Specifications

Documents Prepared By:
Lyndon F. Schmidt
P.E. No. 43409

RW BUILDING CONSULTANTS, INC.
P.O. Box 230, Valrico, FL 33595
Phone No.: 813.659.9197
FBPE Registry No. 9813

PRODUCT: THERMA-TRU FIBERGLASS DOOR

PART OR ASSEMBLY: TYPICAL ELEVATION, DESIGN PRESSURES & GENERAL NOTES

NO.	DATE	REVISIONS
4	8/22/23	UPDATE TO 8TH ED. (2023) FBC LFS
3	7/15/20	UPDATE TO 7th ED. (2020) FBC PO
2	10/09/18	REV. DOOR PANEL OPTION NOTE MT
1	10/15/17	ADD DEADBOLT 5-1/2" O. C. AND RECESSED PANEL NOTATION JK

DATE: 8/02/16

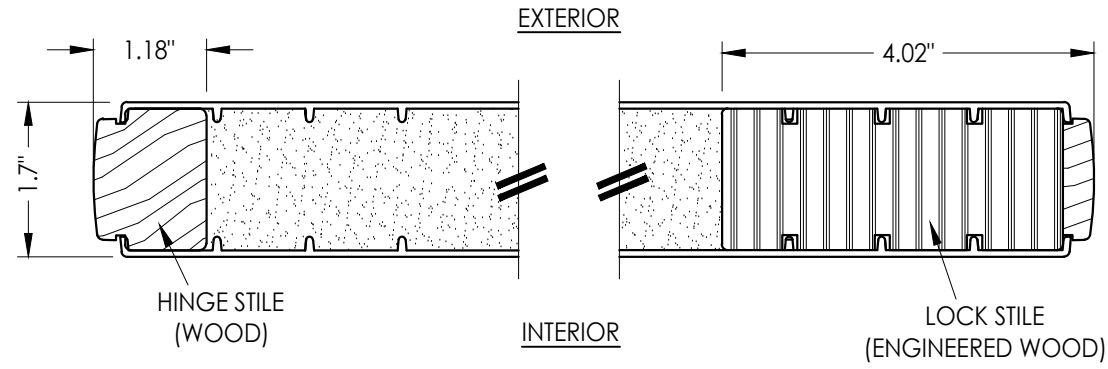
SCALE: N.T.S.

DWG. BY: JK

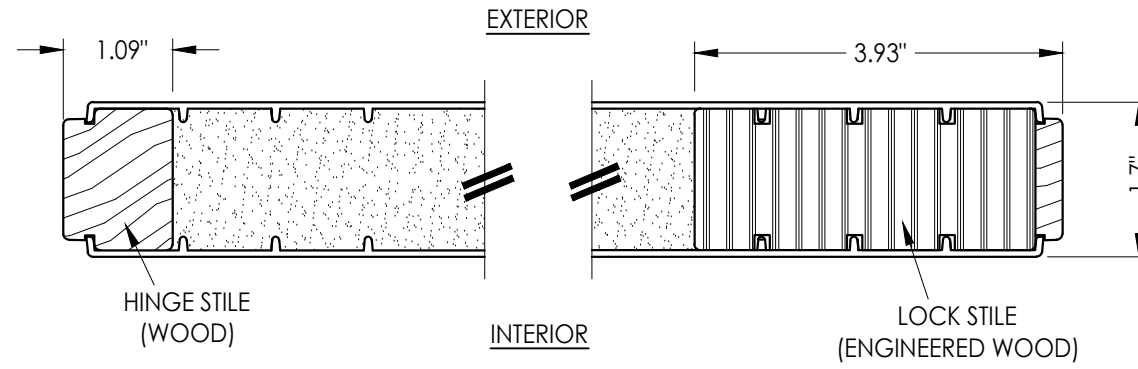
CHK. BY: LFS

DRAWING NO.: FL-21138.5

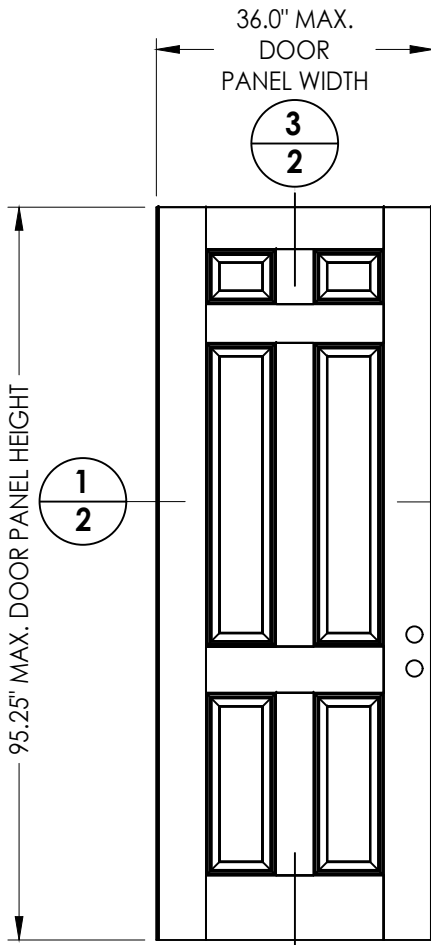
SHEET 1 OF 14



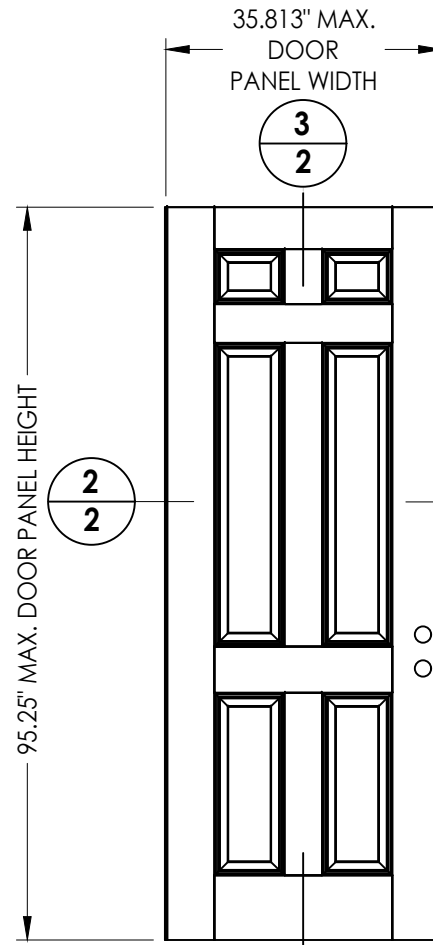
1
2 HORIZONTAL CROSS SECTION



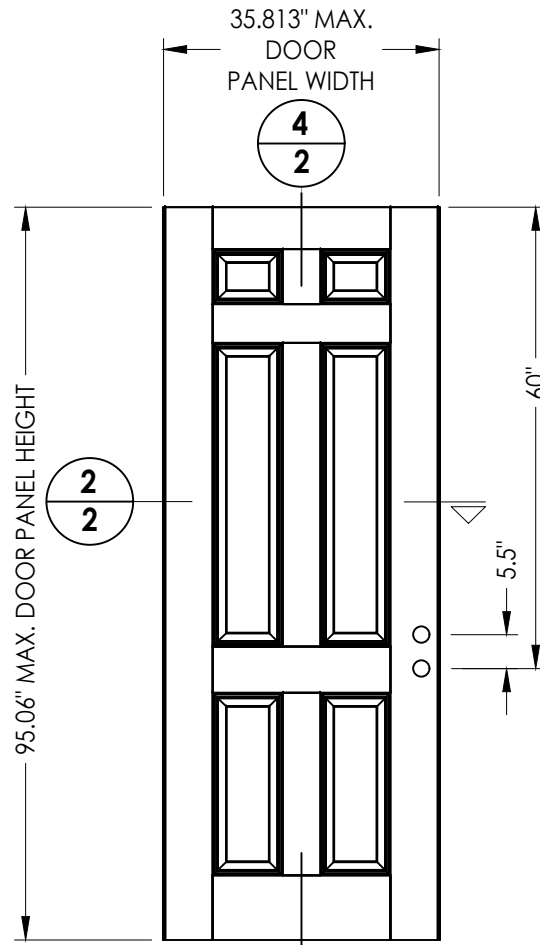
2
2 HORIZONTAL CROSS SECTION



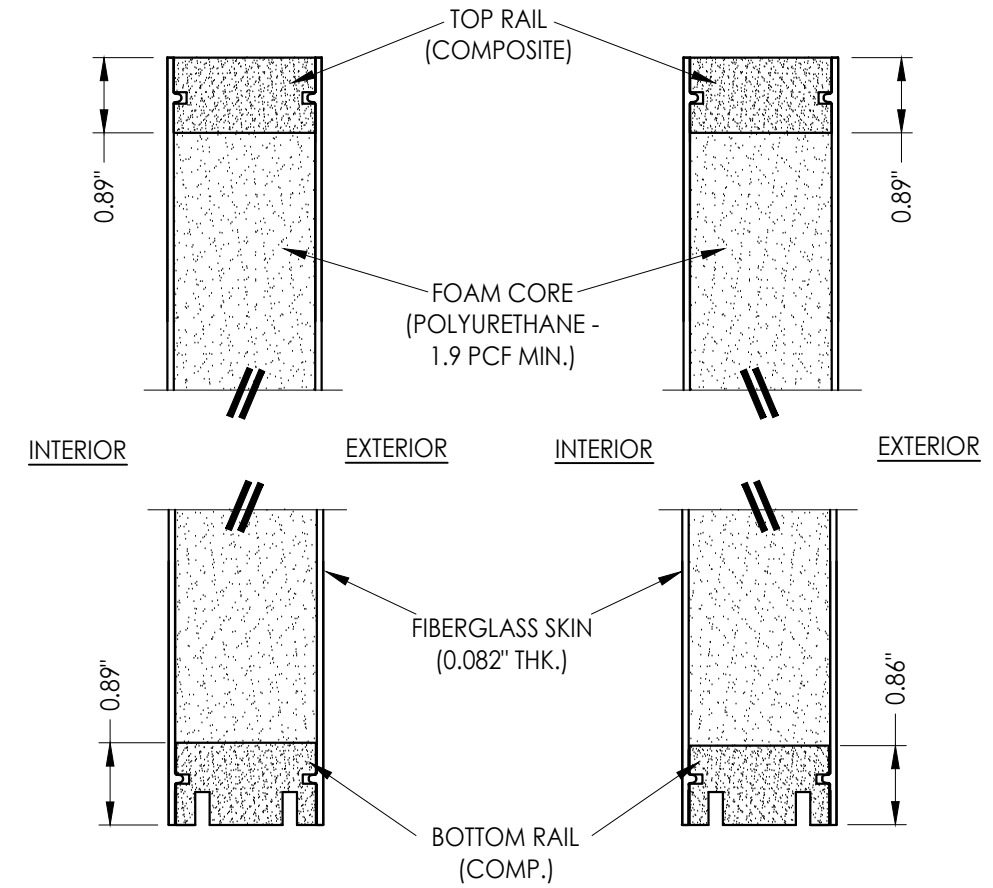
40 DOOR PANEL
BOOK



41 DOOR PANEL
Hybrid Door



42 DOOR PANEL
U1 Door



3
2 VERTICAL CROSS SECTION

4
2 VERTICAL CROSS SECTION

Documents Prepared By:
Lyndon F. Schmidt
P.E. No. 43409

RW BUILDING CONSULTANTS, INC.
P.O. Box 230, Valrico, FL 33595
Phone No.: 813.659.9197
FBPE Registry No. 9813

PRODUCT:
THERMA-TRU
FIBERGLASS DOOR

PART OR ASSEMBLY:
DOOR PANEL DETAILS

NO.	DATE	REVISIONS
4	8/22/23	UPDATE TO 8TH ED. (2023) FBC LFS
3	7/15/20	UPDATE TO 7th ED. (2020) FBC PO
2	10/09/18	REV. DOOR PANEL OPTION NOTE MT
1	10/15/17	ADD DEADBOLT 5-1/2" O. C. JK
		AND RECESSED PANEL NOTATION

DATE: 12/19/16

SCALE: N.T.S.

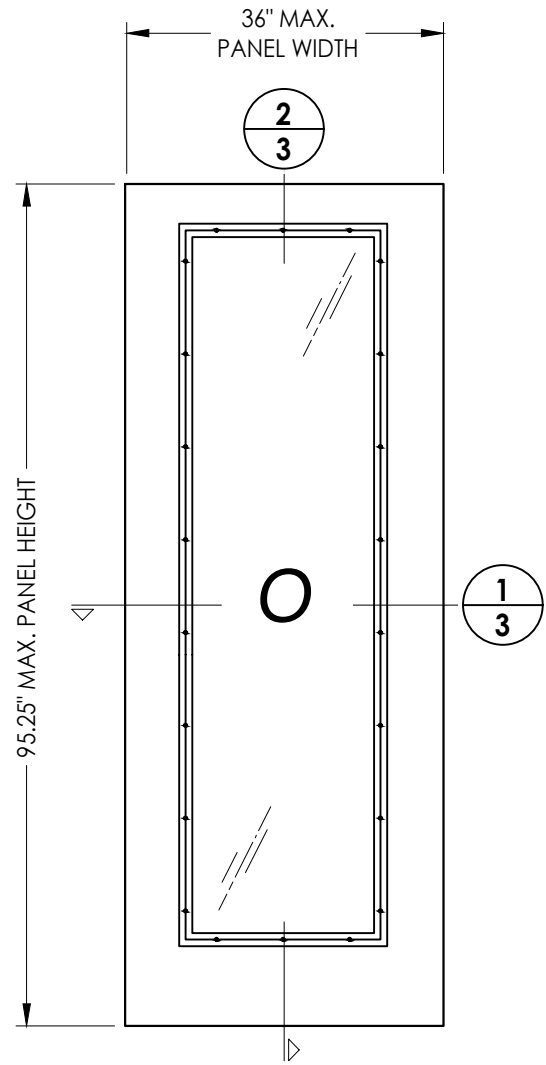
DWG. BY: JK

CHK. BY: LFS

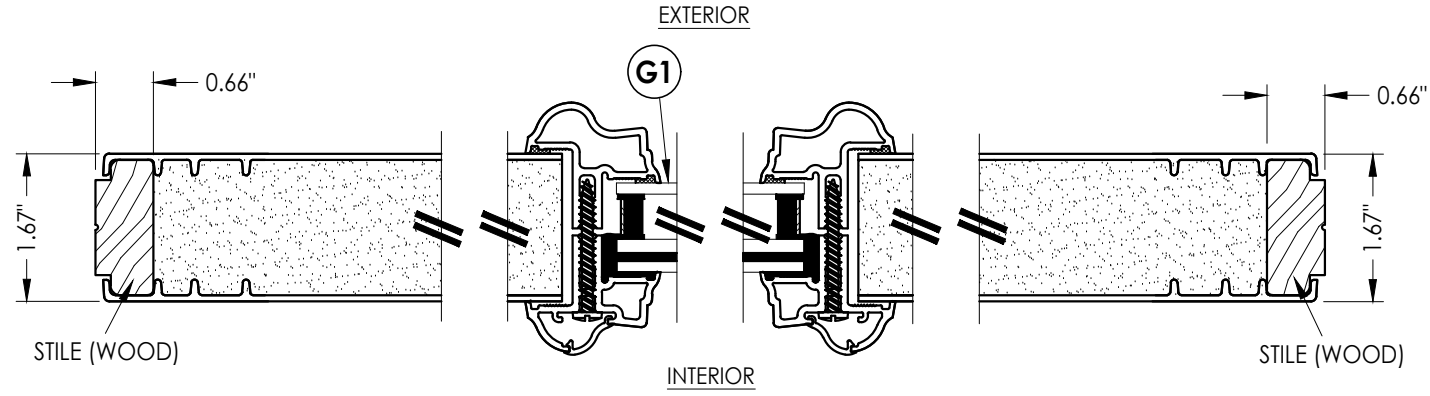
DRAWING NO.:

FL-21138.5

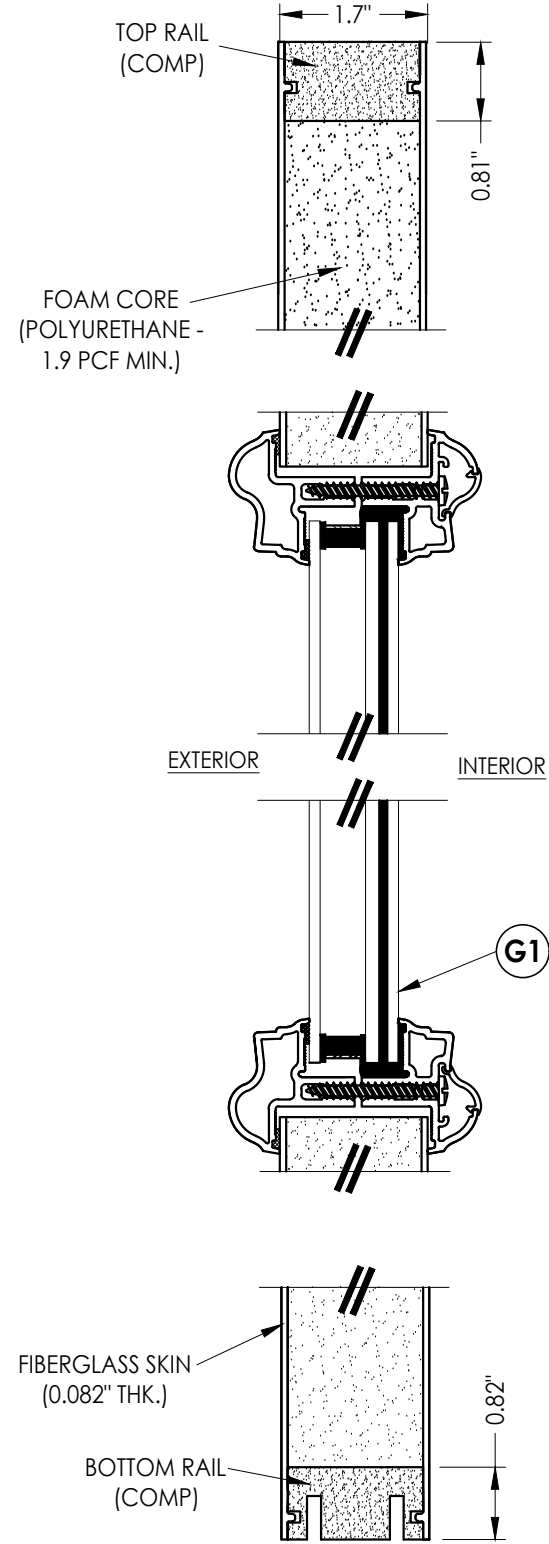
SHEET 2 OF 14



50 SIDELITE PANEL



1 HORIZONTAL CROSS SECTION



2 VERTICAL CROSS SECTION

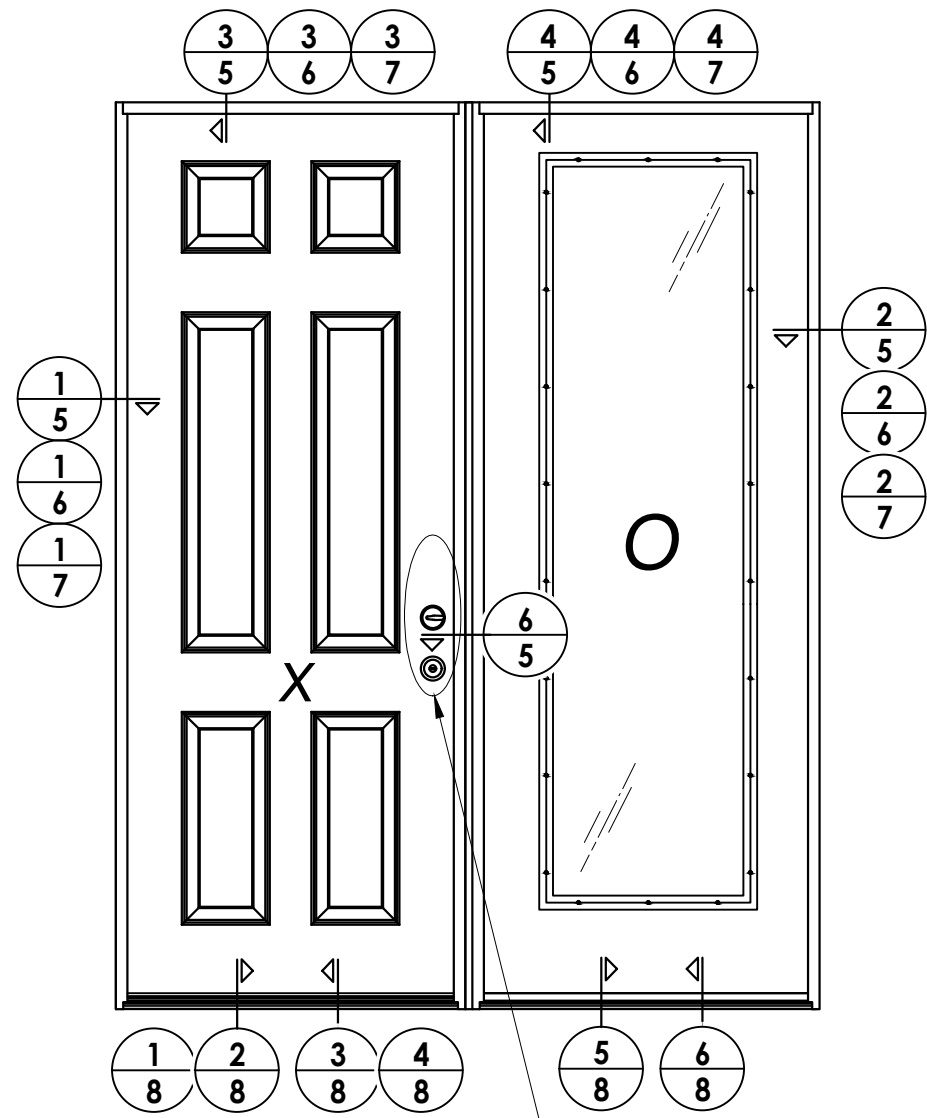
Documents Prepared By:
Lyndon F. Schmidt
P.E. No. 43409

PRODUCT:
THERMA-TRU
FIBERGLASS DOOR

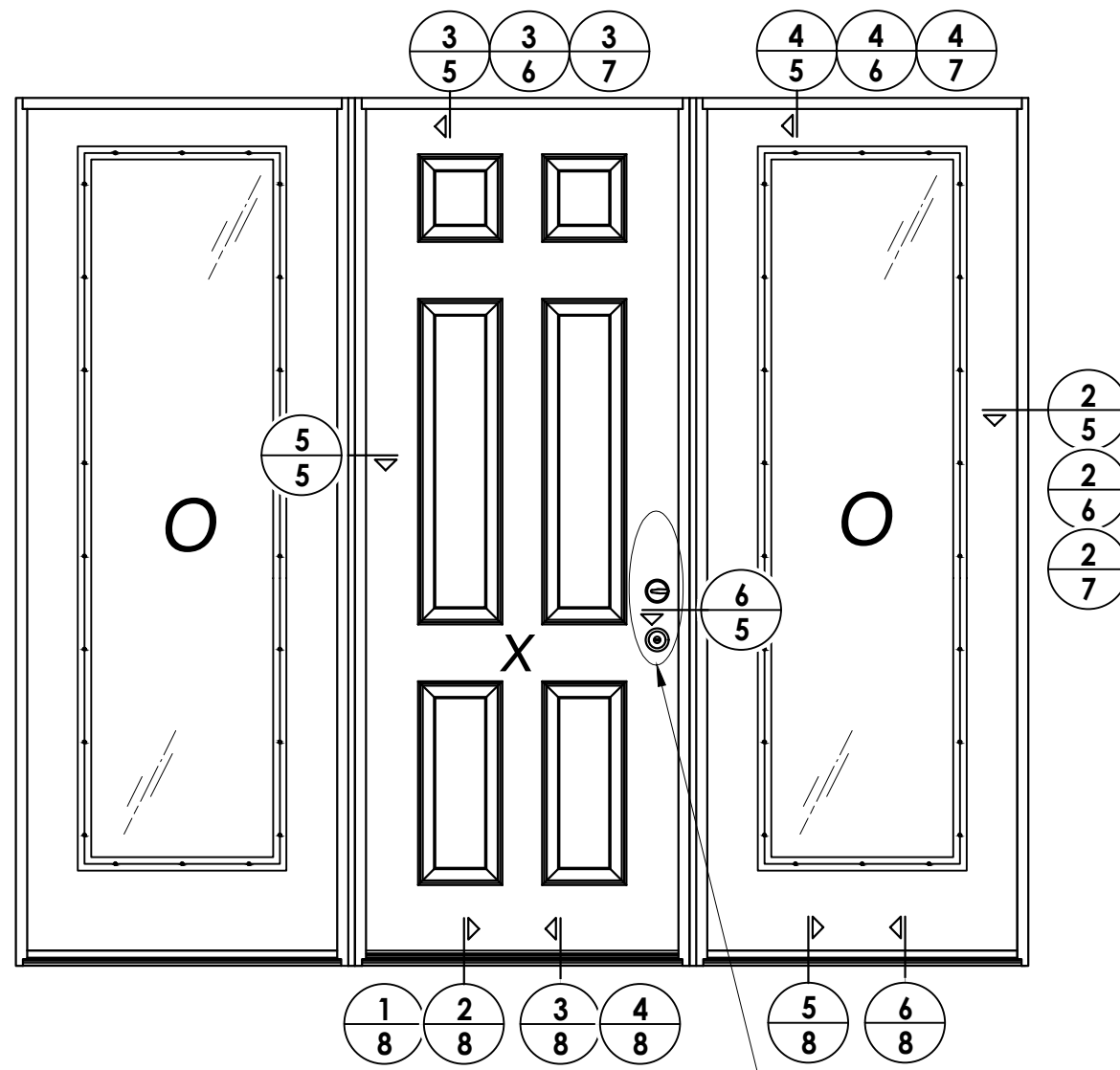
NO.	DATE	REVISIONS	BY
4	8/22/23	UPDATE TO 8TH ED. (2023)	LFS
3	7/15/20	UPDATE TO 7th ED (2020)	PO
2	10/09/18	REV. DOOR PANEL OPTION NOTE	MT
1	10/15/17	ADD DEADBOLT 5-1/2" O. C. AND RECESSED PANEL NOTATION	JK

DATE: 12/19/16
SCALE: N.T.S.
DWG. BY: JK
CHK. BY: LFS
DRAWING NO.: FL-21138.5
SHEET 3 OF 14

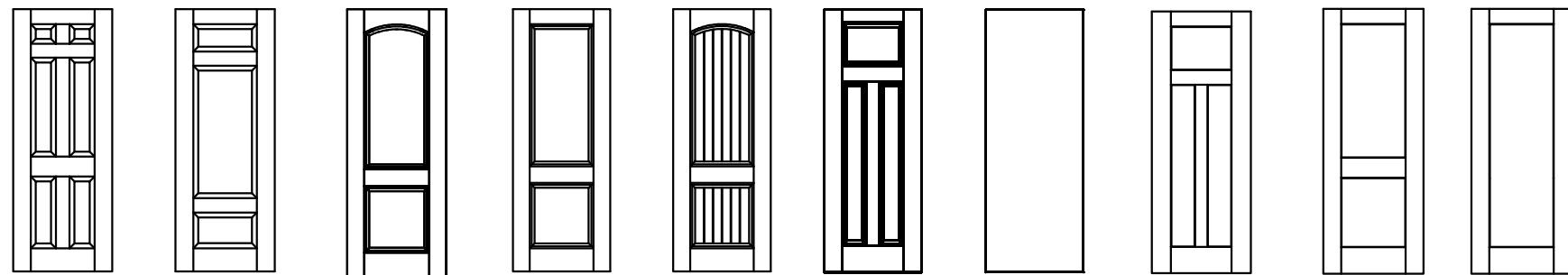
RW BUILDING CONSULTANTS, INC.
P.O. Box 230, Vairico, FL 33595
Phone No.: 813.659.9197
FBPE Registry No. 9813



SEE HARDWARE CHART



SEE HARDWARE CHART



Fiber-Classic/Smooth-Star Door Panel Options

Products approved include all embossed and recessed panel doors.
 Similar opaque panel configurations are allowed.
 Panels shown are for illustration and are representative only.

HARDWARE TABLE	
MANUFACTURER	MODEL
SCHLAGE	KNOB: F51 DEADBOLT: B60
KWIKSET	KNOB: SIGNATURE SERIES DEADBOLT: SIGNATURE SERIES (980)
HOPPE (THERMA-TRU)	MULTIPOINT : MPDGART (3 pt. Manual Tongue)

Documents Prepared By:
 Lyndon F. Schmidt
 P.E. No. 43409

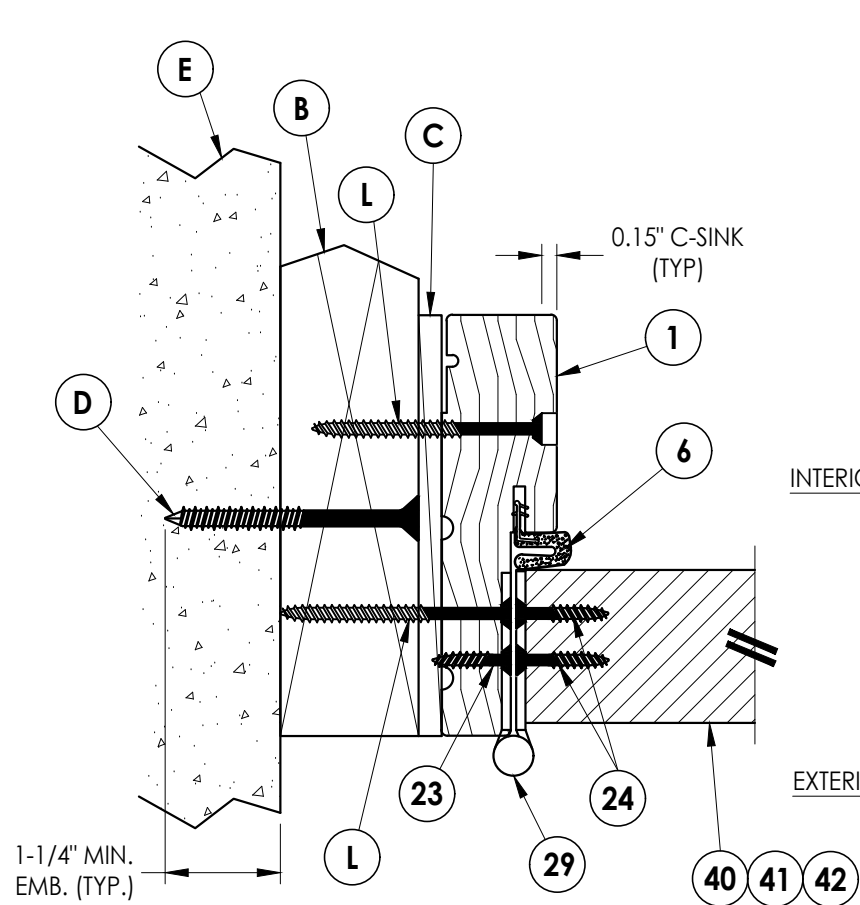
PRODUCT:
 THERMA-TRU
 FIBERGLASS DOOR

PART OR ASSEMBLY:
 ELEVATIONS

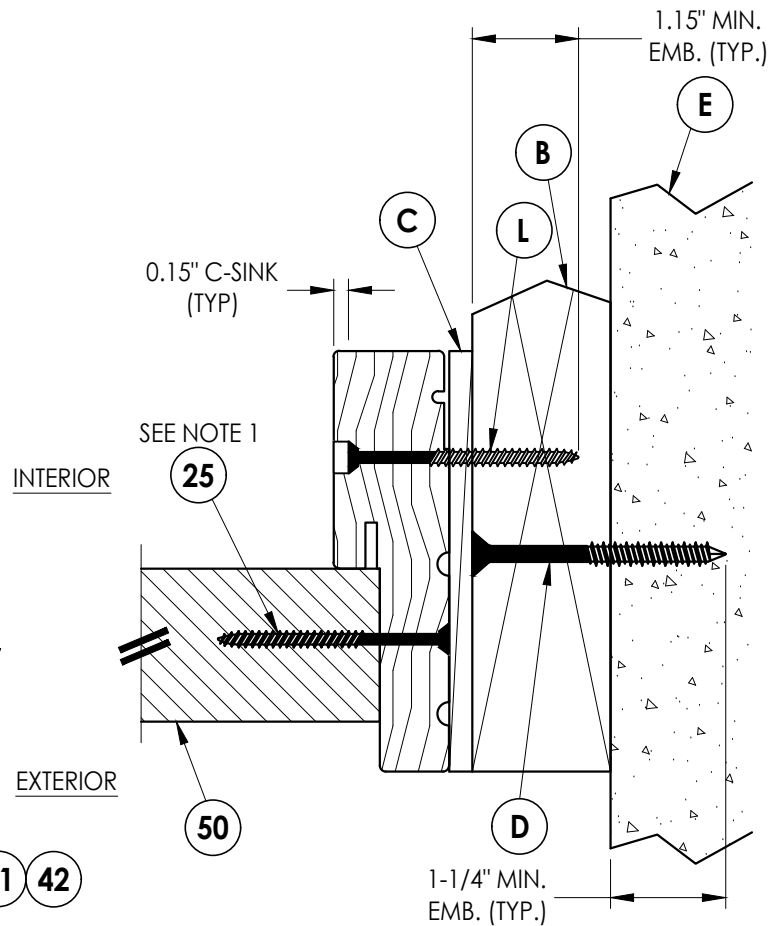
RW BUILDING CONSULTANTS, INC.
 P.O. Box 230, Valrico, FL 33595
 Phone No.: 813.659.9197
 FBPE Registry No. 9813

NO.	DATE	REVISIONS
4	8/22/23	UPDATE TO 8TH ED. (2023) FBC LFS
3	7/15/20	UPDATE TO 7th ED (2020) FBC PO
2	10/09/18	REV. DOOR PANEL OPTION NOTE MT
1	10/15/17	ADD DEADBOLT 5-1/2" O. C. JK AND RECESSED PANEL NOTATION

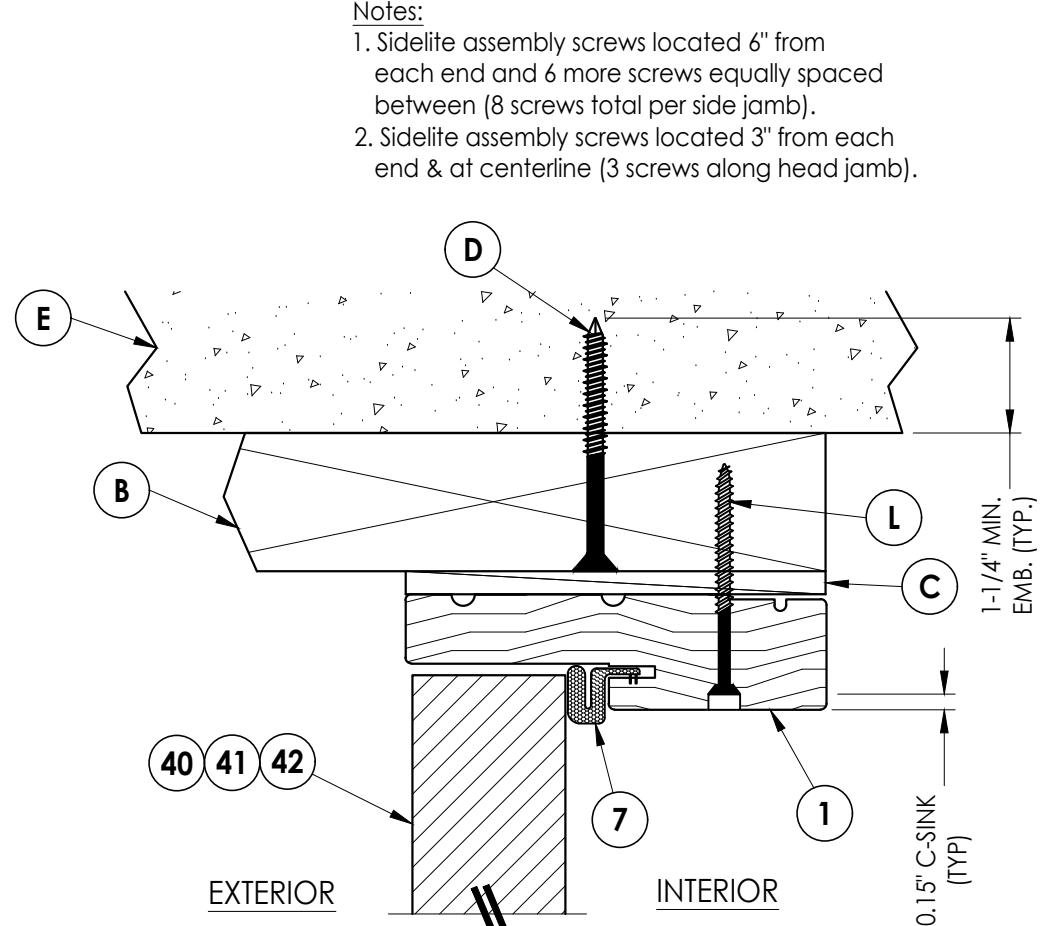
DATE: 12/19/16
 SCALE: N.T.S.
 DWG. BY: JK
 CHK. BY: LFS
 DRAWING NO.: FL-21138.5
 SHEET 4 OF 14



1 HORIZONTAL CROSS SECTION
5 Shown w/ 2X Buck
 Outswing shown (Inswing similar)

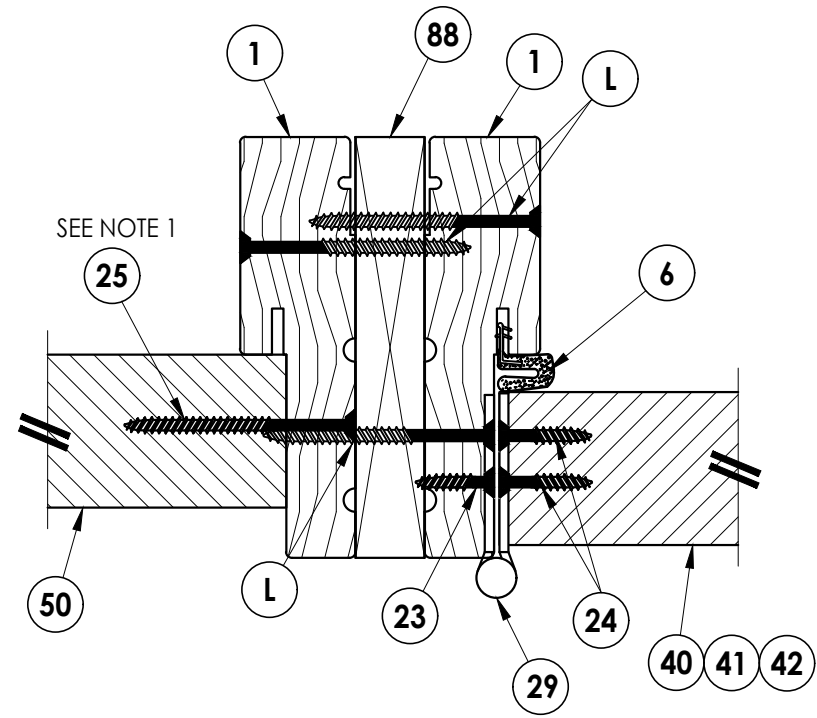


2 HORIZONTAL CROSS SECTION
5 Shown w/ 2X Buck
 Outswing shown (Inswing similar)

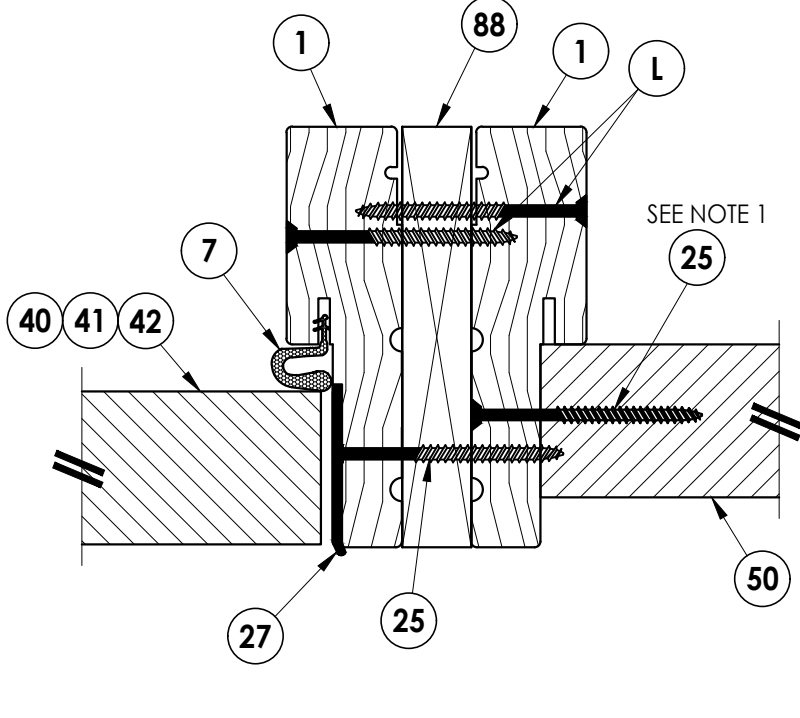


3 VERTICAL CROSS SECTION
5 Shown w/ 2X Buck
 Outswing shown (Inswing similar)

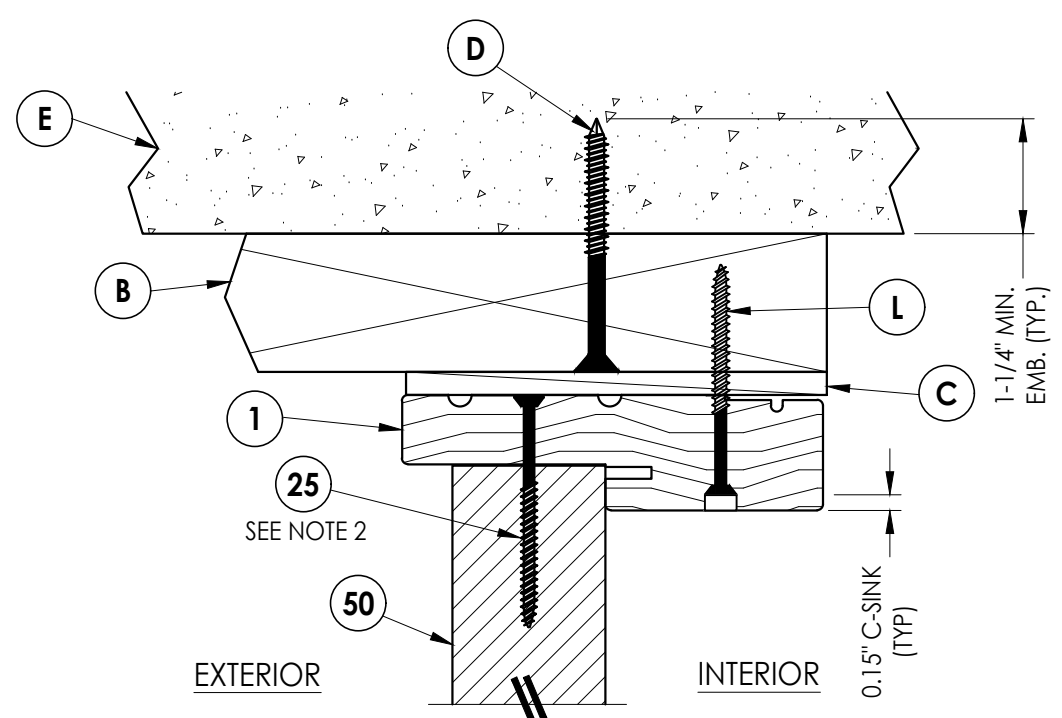
Notes:
 1. Sidelite assembly screws located 6" from each end and 6 more screws equally spaced between (8 screws total per side jamb).
 2. Sidelite assembly screws located 3" from each end & at centerline (3 screws along head jamb).



5 HORIZONTAL CROSS SECTION
5 Outswing shown (Inswing similar)



6 HORIZONTAL CROSS SECTION
5 Outswing shown (Inswing similar)



4 VERTICAL CROSS SECTION
5 Shown w/ 2X Buck
 Outswing shown (Inswing similar)

Documents Prepared By:
 Lyndon F. Schmidt
 P.E. No. 43409

RW BUILDING CONSULTANTS, INC.
 P.O. Box 230, Vairico, FL 33595
 Phone No.: 813.659.9197
 FBPE Registry No. 9813

PRODUCT:
 THERMA-TRU
 FIBERGLASS DOOR

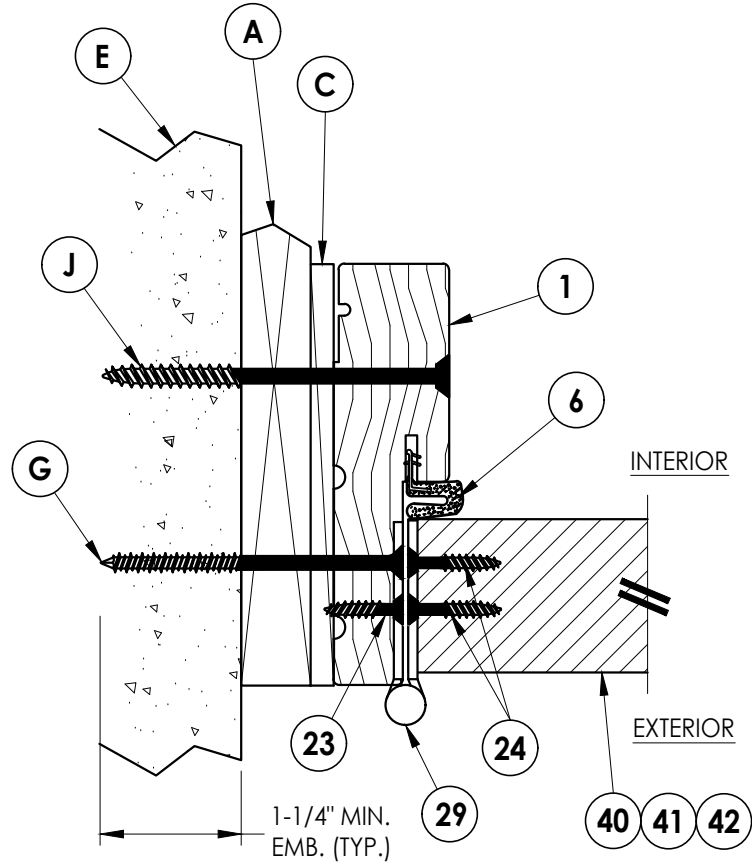
PART OR ASSEMBLY:
 HORIZONTAL & VERTICAL
 CROSS SECTIONS (2X BUCK)

NO.	DATE	REVISIONS	BY
4	8/22/23	UPDATE TO 8TH ED. (2023) FBC	LFS
3	7/15/20	UPDATE TO 7th ED (2020) FBC	PO
2	10/09/18	REV. DOOR PANEL OPTION NOTE	MT
1	10/15/17	ADD DEADBOLT 5-1/2" O. C. AND RECESSED PANEL NOTATION	JK

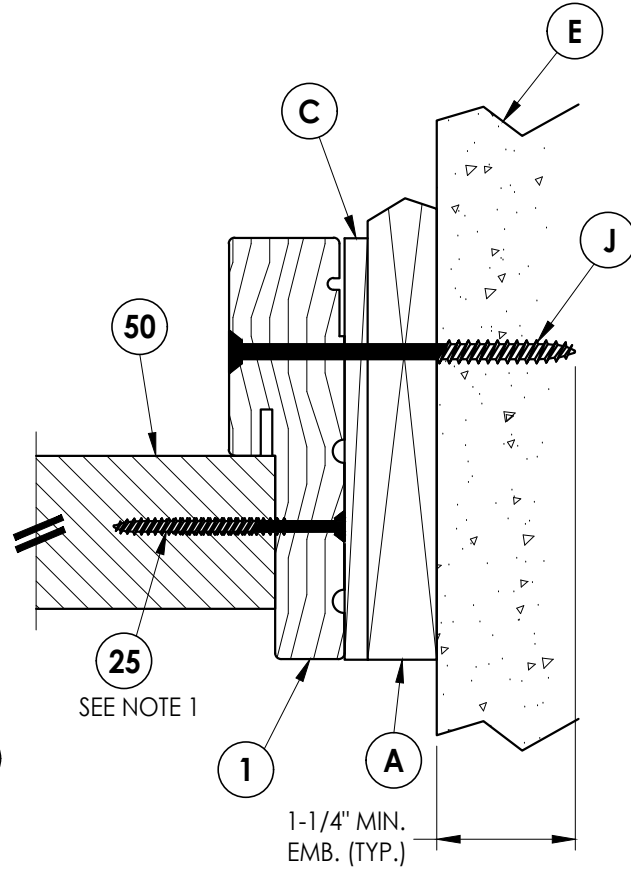
DATE: 12/19/16
 SCALE: N.T.S.
 DWG. BY: JK
 CHK. BY: LFS
 DRAWING NO.: FL-21138.5
 SHEET 5 OF 14

Notes:

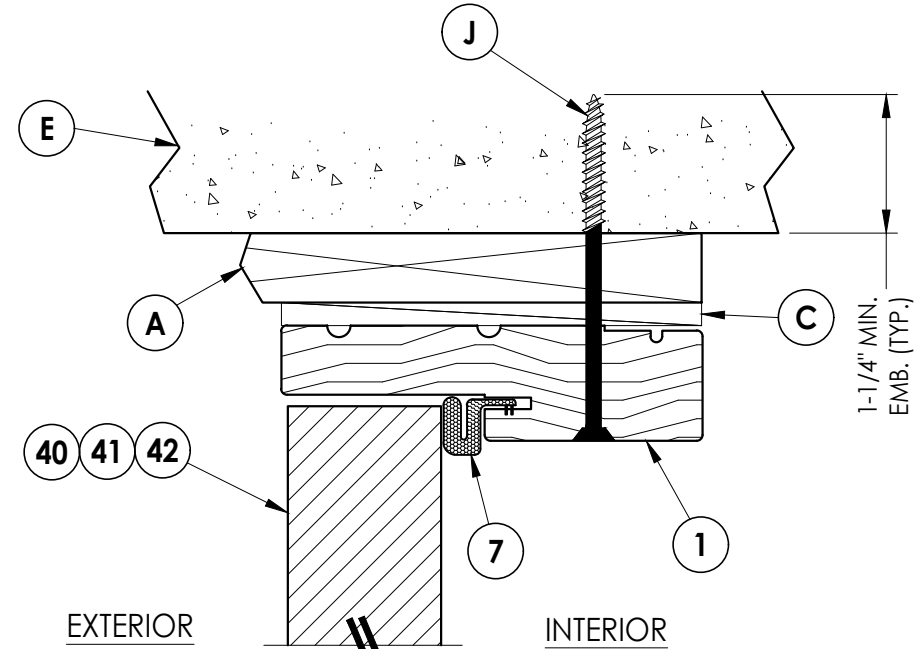
- Sidelite assembly screws located 6" from each end and 6 more screws equally spaced between (8 screws total per side jamb).
- Sidelite assembly screws located 3" from each end & at centerline (3 screws along head jamb).



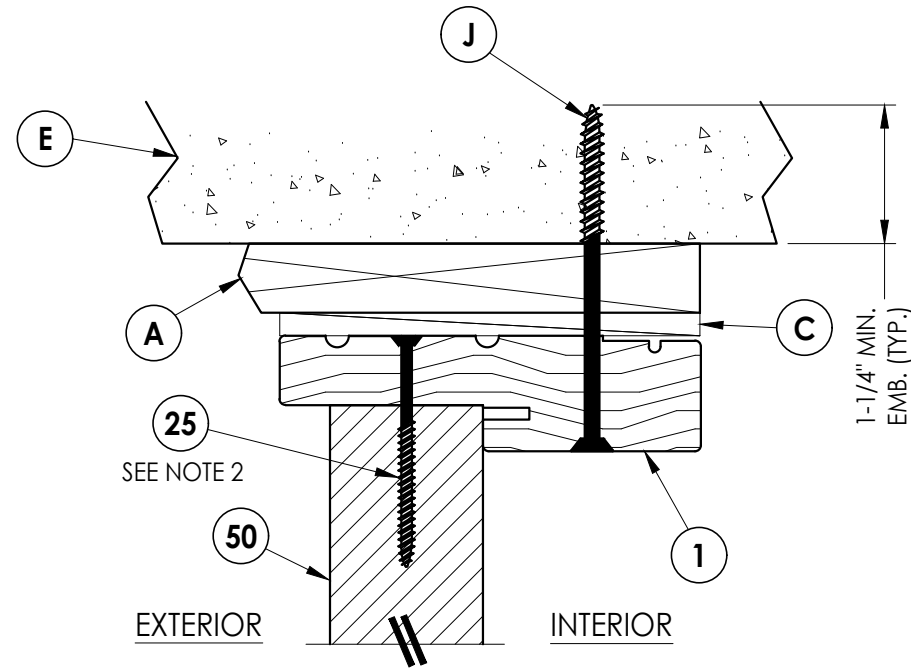
1 **HORIZONTAL CROSS SECTION**
6 Shown w/ 1X sub-buck
 Outswing shown (Inswing similar)



2 **HORIZONTAL CROSS SECTION**
6 Shown w/ 1X sub-buck
 Outswing shown (Inswing similar)



3 **VERTICAL CROSS SECTION**
6 Shown w/ 1X sub-buck
 Outswing shown (Inswing similar)



4 **VERTICAL CROSS SECTION**
6 Shown w/ 1X sub-buck
 Outswing shown (Inswing similar)

Documents Prepared By:
 Lyndon F. Schmidt
 P.E. No. 43409

RW BUILDING CONSULTANTS, INC.
 P.O. Box 230, Valrico, FL 33595
 Phone No.: 813.659.9197
 FBPE Registry No. 9813

PRODUCT:
 THERMA-TRU
 FIBERGLASS DOOR

PART OR ASSEMBLY:
 HORIZONTAL & VERTICAL
 CROSS SECTIONS (1X BUCK)

NO.	DATE	REVISIONS	BY
4	8/22/23	UPDATE TO 8TH ED. (2023) FBC	LFS
3	7/15/20	UPDATE TO 7th ED (2020) FBC	PO
2	10/09/18	REV. DOOR PANEL OPTION NOTE	MT
1	10/15/17	ADD DEADBOLT 5-1/2" O. C. AND RECESSED PANEL NOTATION	JK

DATE: 12/19/16

SCALE: N.T.S.

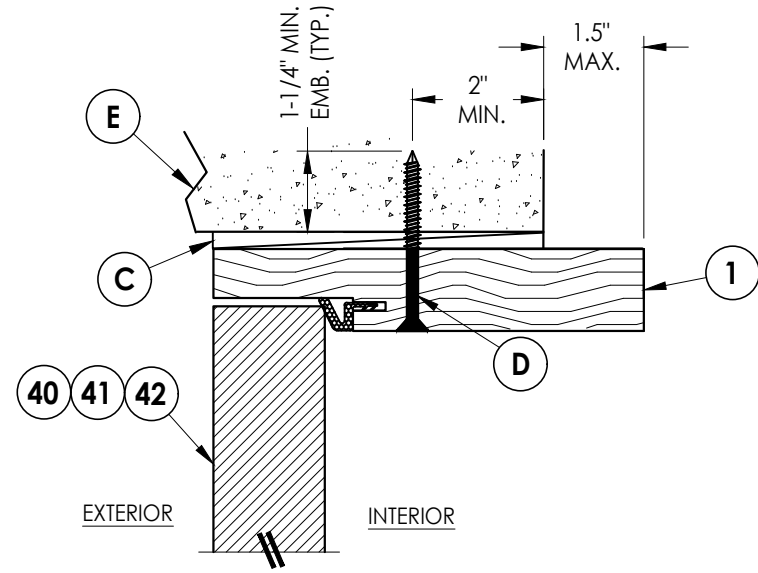
DWG. BY: JK

CHK. BY: LFS

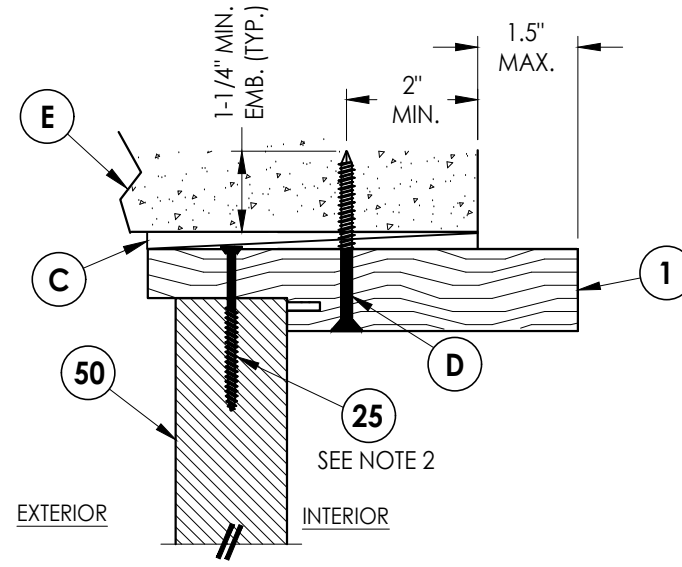
DRAWING NO.:

FL-21138.5

SHEET 6 OF 14



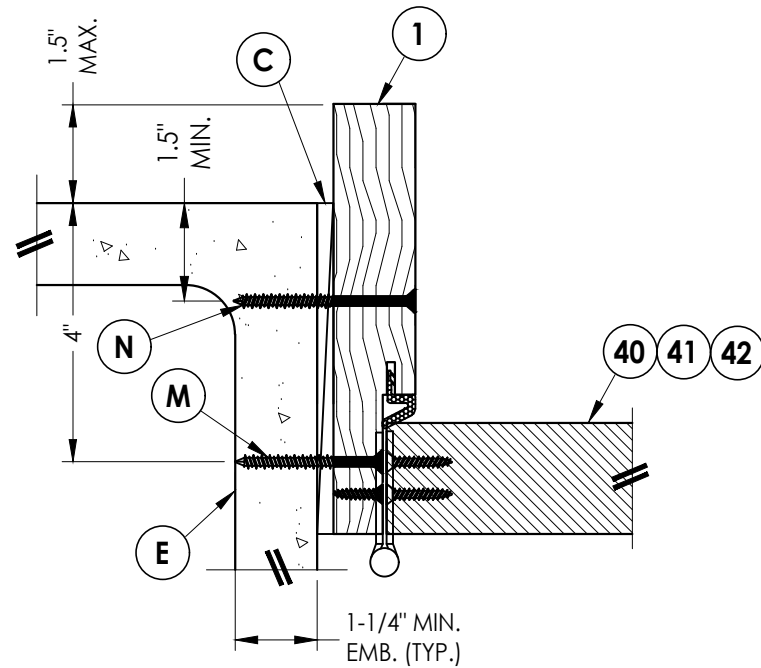
3 **HORIZONTAL CROSS SECTION**
7 Shown Direct to Masonry
 Outswing only w/ 6-9/16" jamb



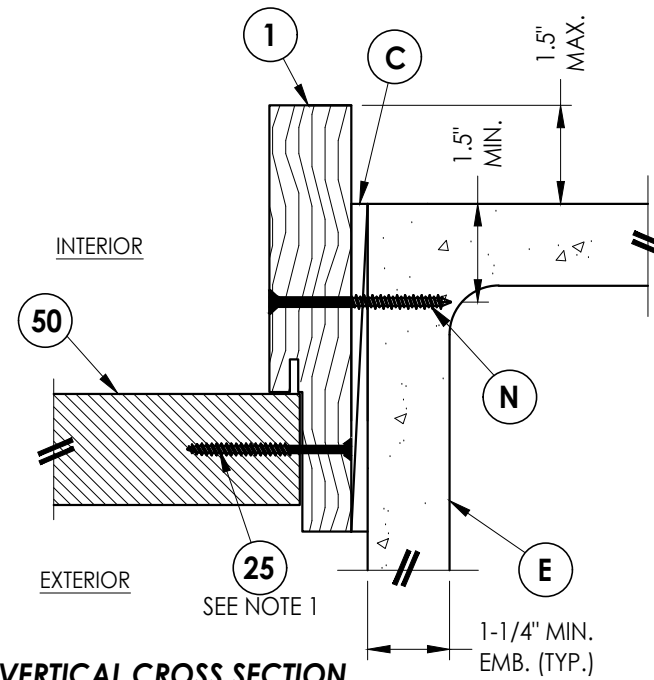
4 **VERTICAL CROSS SECTION**
7 Shown Direct to Masonry
 Outswing only w/ 6-9/16" jamb

Notes:

- Sidelite assembly screws located 6" from each end plus 6 more equally spaced between (8 screws total per side jamb).
- Sidelite assembly screws located 3" from each end & at centerline (3 screws along head jamb).



1 **HORIZONTAL CROSS SECTION**
7 Shown Direct to Masonry
 Outswing only w/ 6-9/16" jamb



2 **VERTICAL CROSS SECTION**
7 Shown Direct to Masonry
 Outswing only w/ 6-9/16" jamb

Documents Prepared By:
 Lyndon F. Schmidt
 P.E. No. 43409

RW BUILDING CONSULTANTS, INC.
 P.O. Box 230, Valrico, FL 33595
 Phone No.: 813.659.9197
 FBPE Registry No. 9813

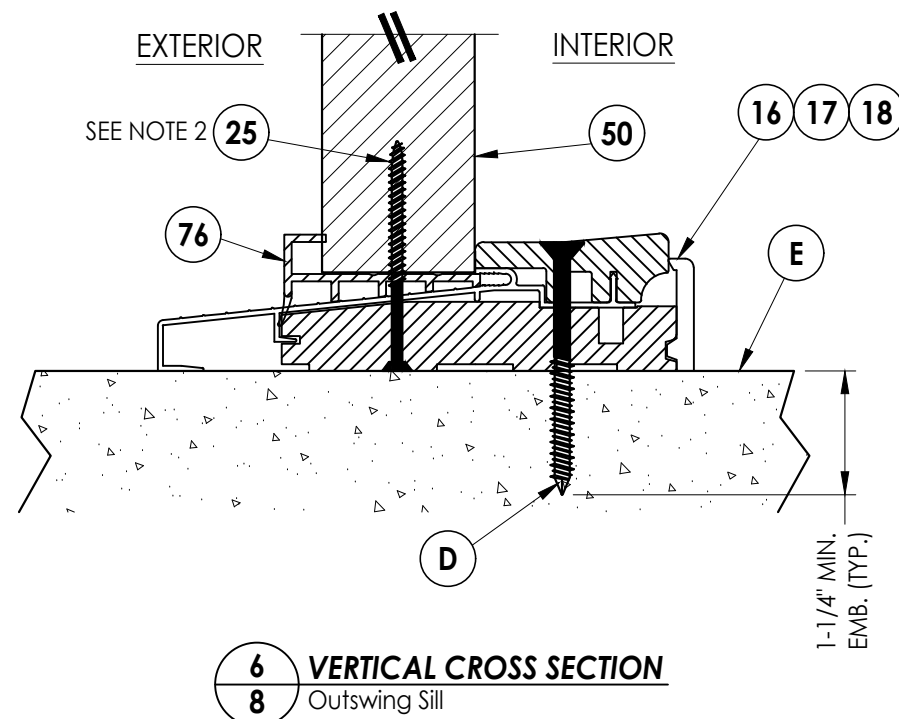
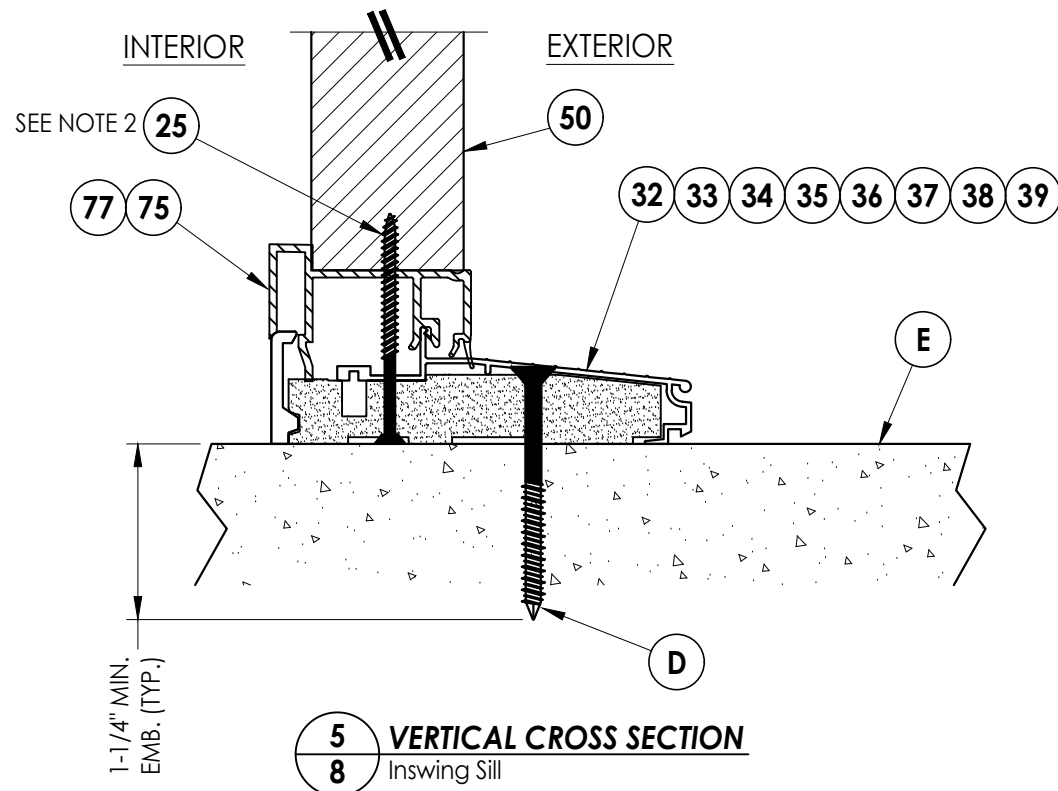
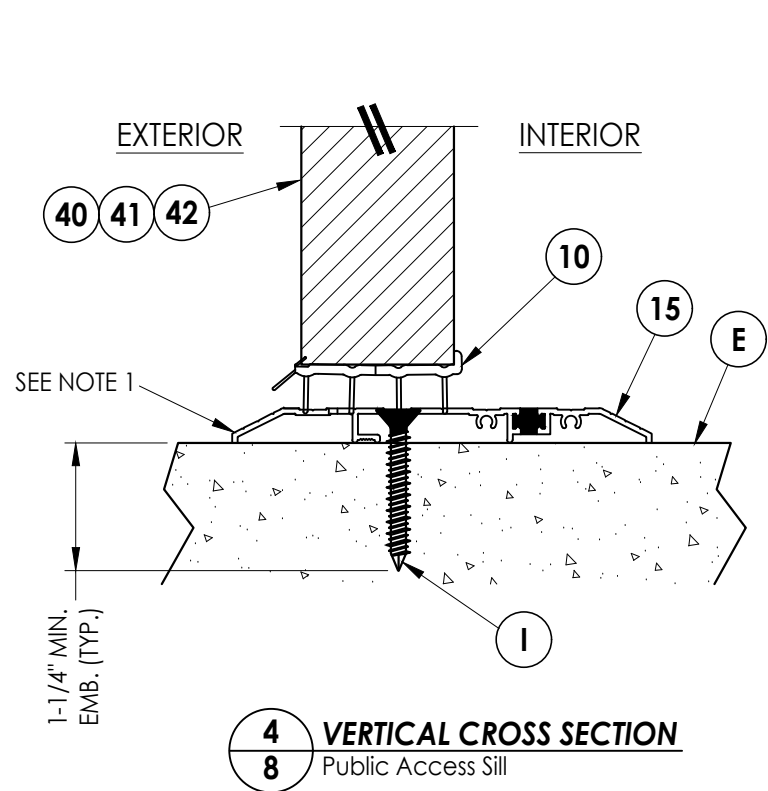
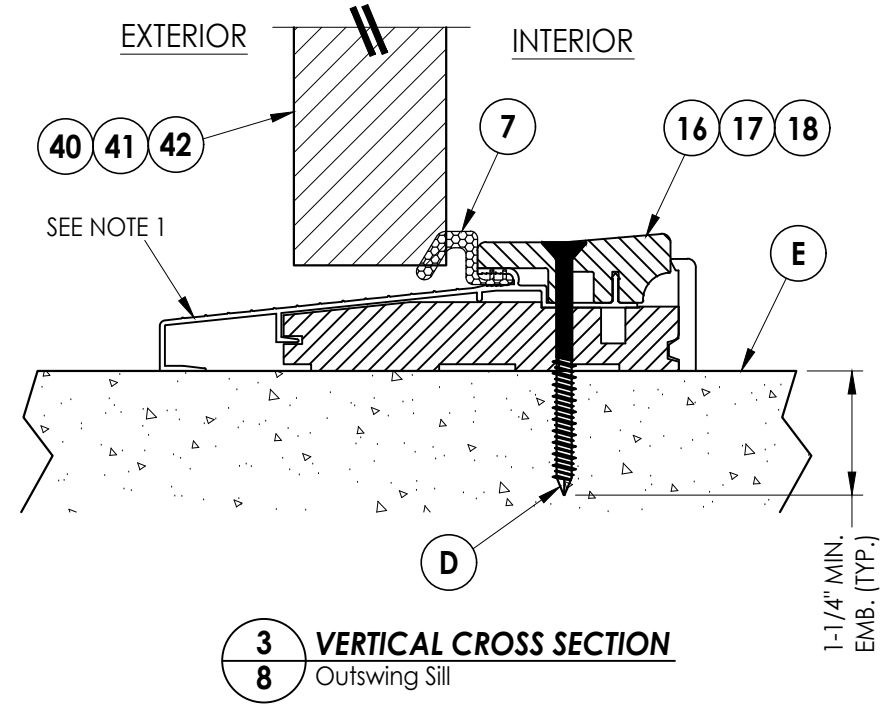
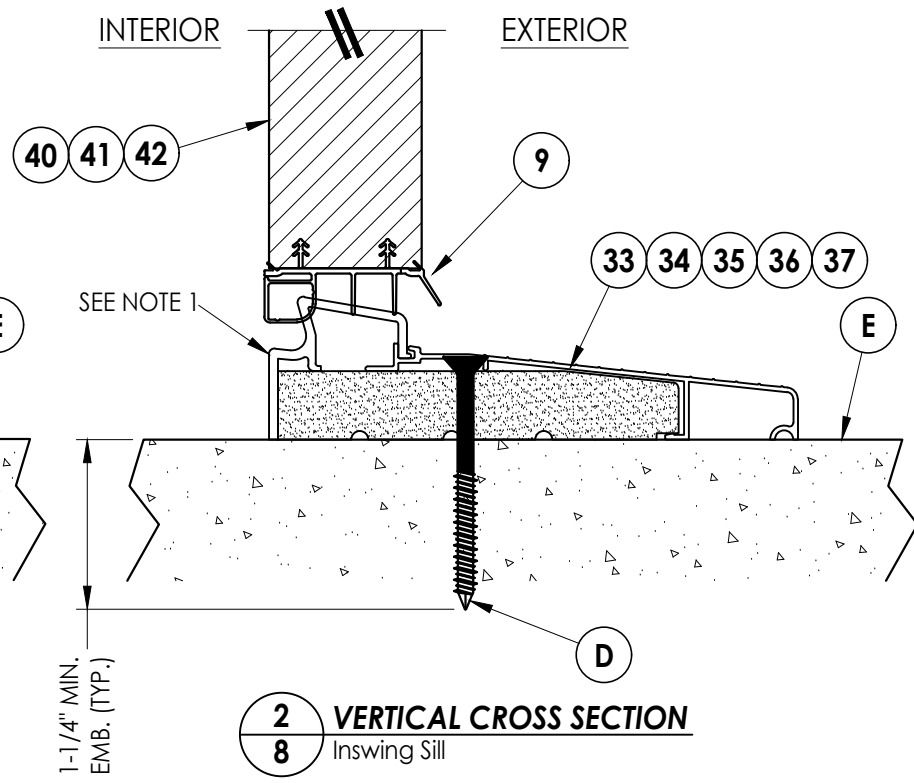
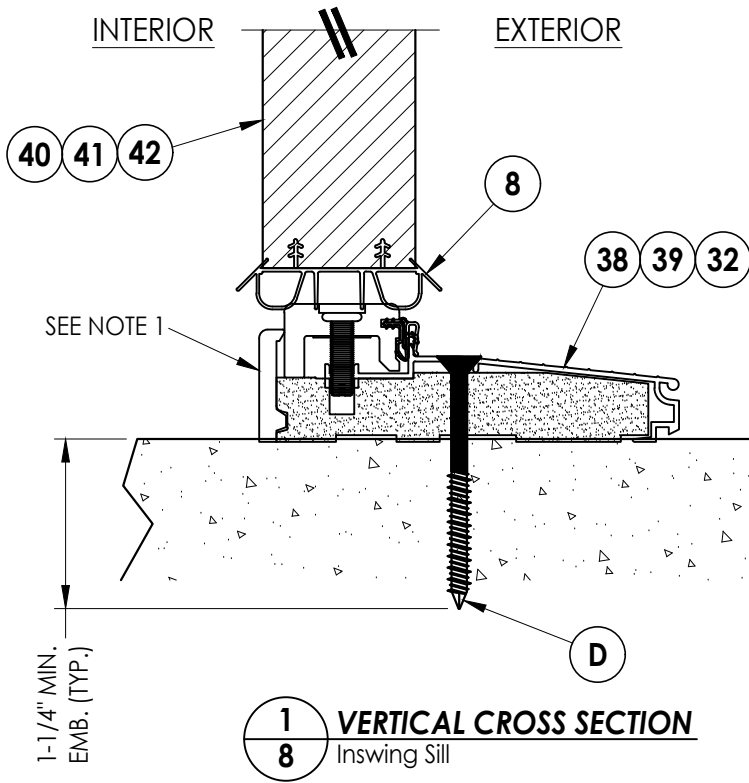
PRODUCT: THERMA-TRU
 FIBERGLASS DOOR
 PART OR ASSEMBLY:
 HORIZONTAL & VERTICAL
 SECTIONS (DIRECT TO MASONRY)

NO.	DATE	REVISIONS
4	8/22/23	UPDATE TO 8TH ED. (2023) FBC
3	7/15/20	UPDATE TO 7th ED (2020) FBC
2	10/09/18	REV. DOOR PANEL OPTION NOTE
1	10/09/17	ADD DEADBOLT 5-1/2" O. C. AND RECESSED PANEL NOTATION

DATE: 8/02/16
 SCALE: N.T.S.
 DWG. BY: JK
 CHK. BY: LFS
 DRAWING NO.: FL-21138.5
 SHEET 7 OF 14

Notes:

- Sill Item #'s 17, 18, 32, 34, 35, 36, 37, 38 & 39 are attached to jambs w/ (3) #8 X 2-1/2" pph screws at each end.
Sill Item #'s 16 & 33 are attached to jambs w/ (2) #8 X 2-1/2" pph screws at each end.
Sill Item #15 is attached to jambs utilizing (4) #10 X 1-1/2" pph screws at each end.
- Sidelite assembly screws located 3" from each end & at centerline (3 screws along sill).



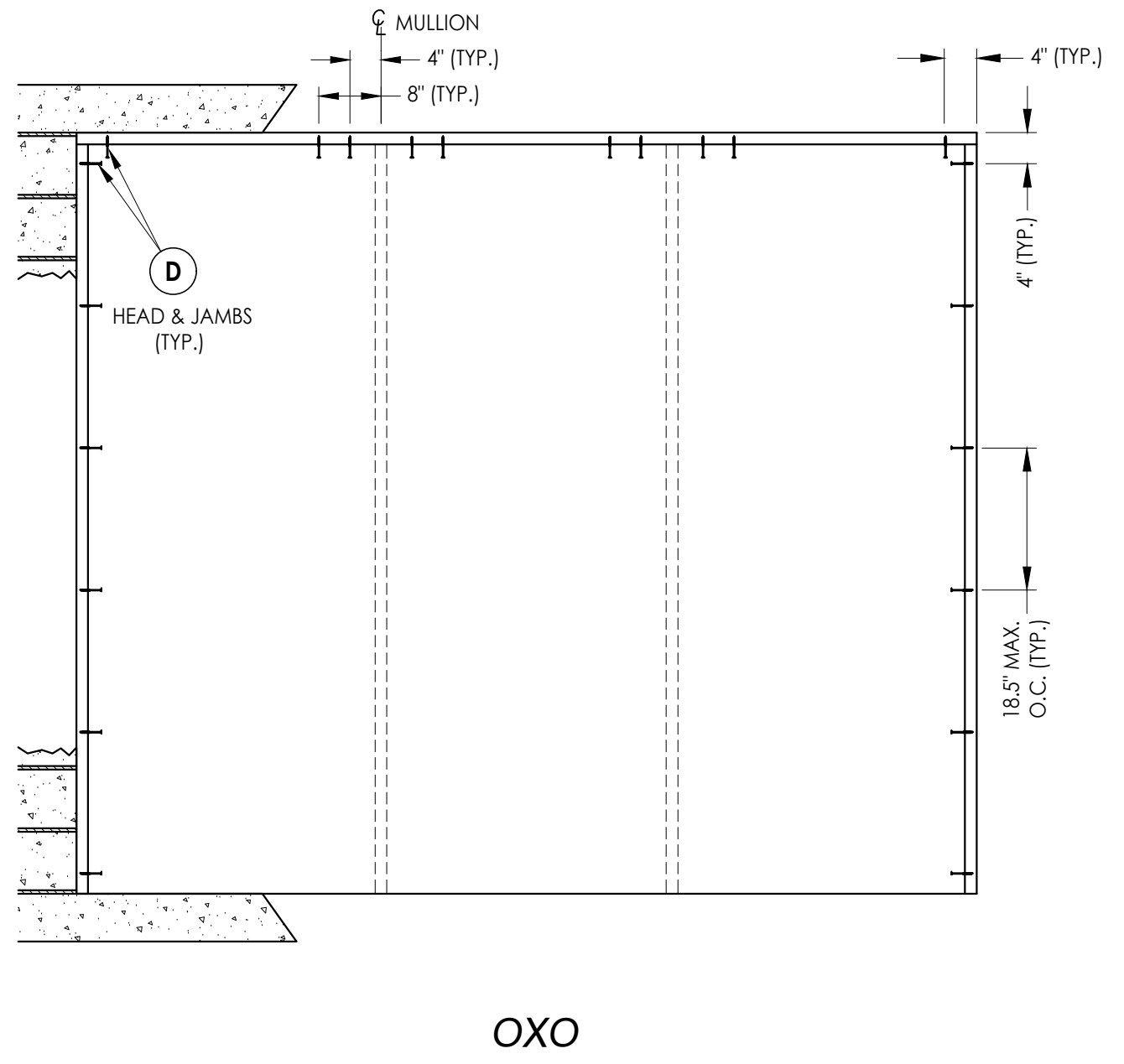
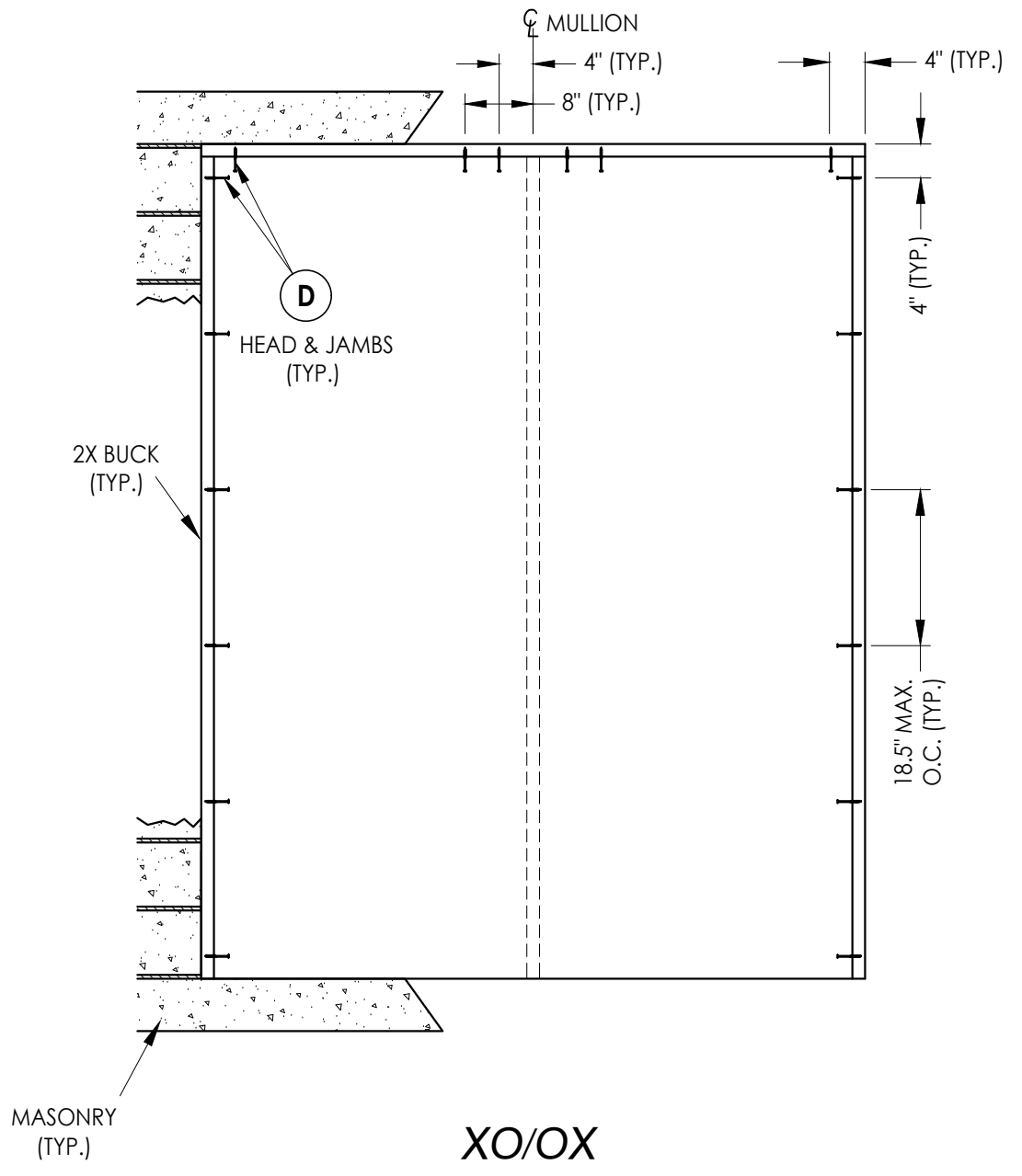
Documents Prepared By:
Lyndon F. Schmidt
P.E. No. 43409

RW BUILDING CONSULTANTS, INC.
P.O. Box 230, Valrico, FL 33595
Phone No.: 813.659.9197
FBPE Registry No. 9813

PRODUCT: THERMA-TRU FIBERGLASS DOOR
PART OR ASSEMBLY: VERTICAL CROSS SECTIONS (THRESHOLDS)

NO.	DATE	REVISIONS
4	8/22/23	UPDATE TO 8TH ED. (2023) FBC
3	7/15/20	UPDATE TO 7th ED (2020) FBC
2	10/09/18	REV. DOOR PANEL OPTION NOTE
1	10/15/17	ADD DEADBOLT 5-1/2" O. C. AND RECESSED PANEL NOTATION

DATE: 12/19/16
SCALE: N.T.S.
DWG. BY: JK
CHK. BY: LFS
DRAWING NO.: FL-21138.5
SHEET 8 OF 14



2X BUCK ANCHORING

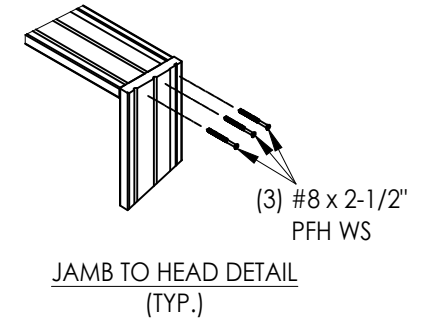
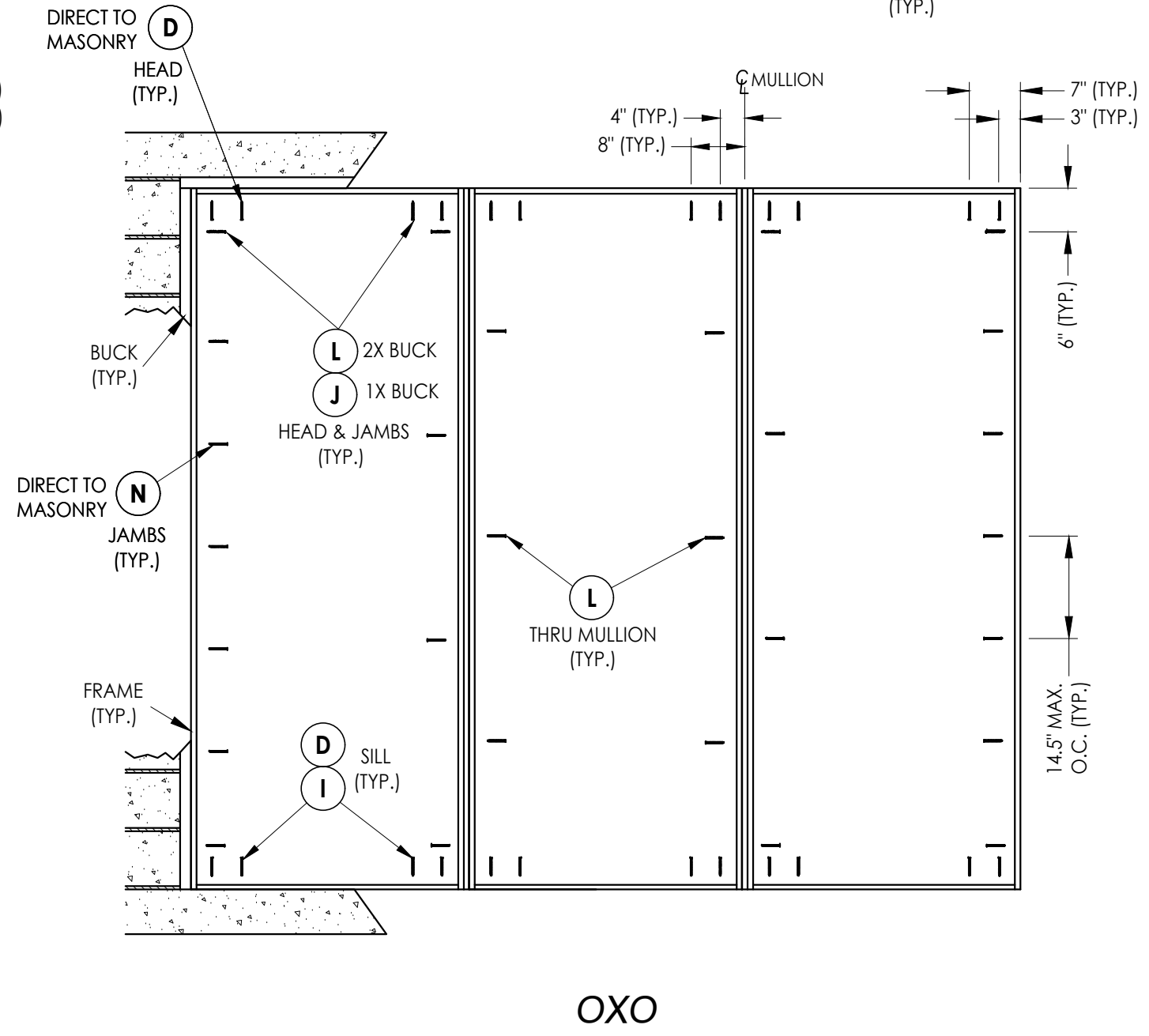
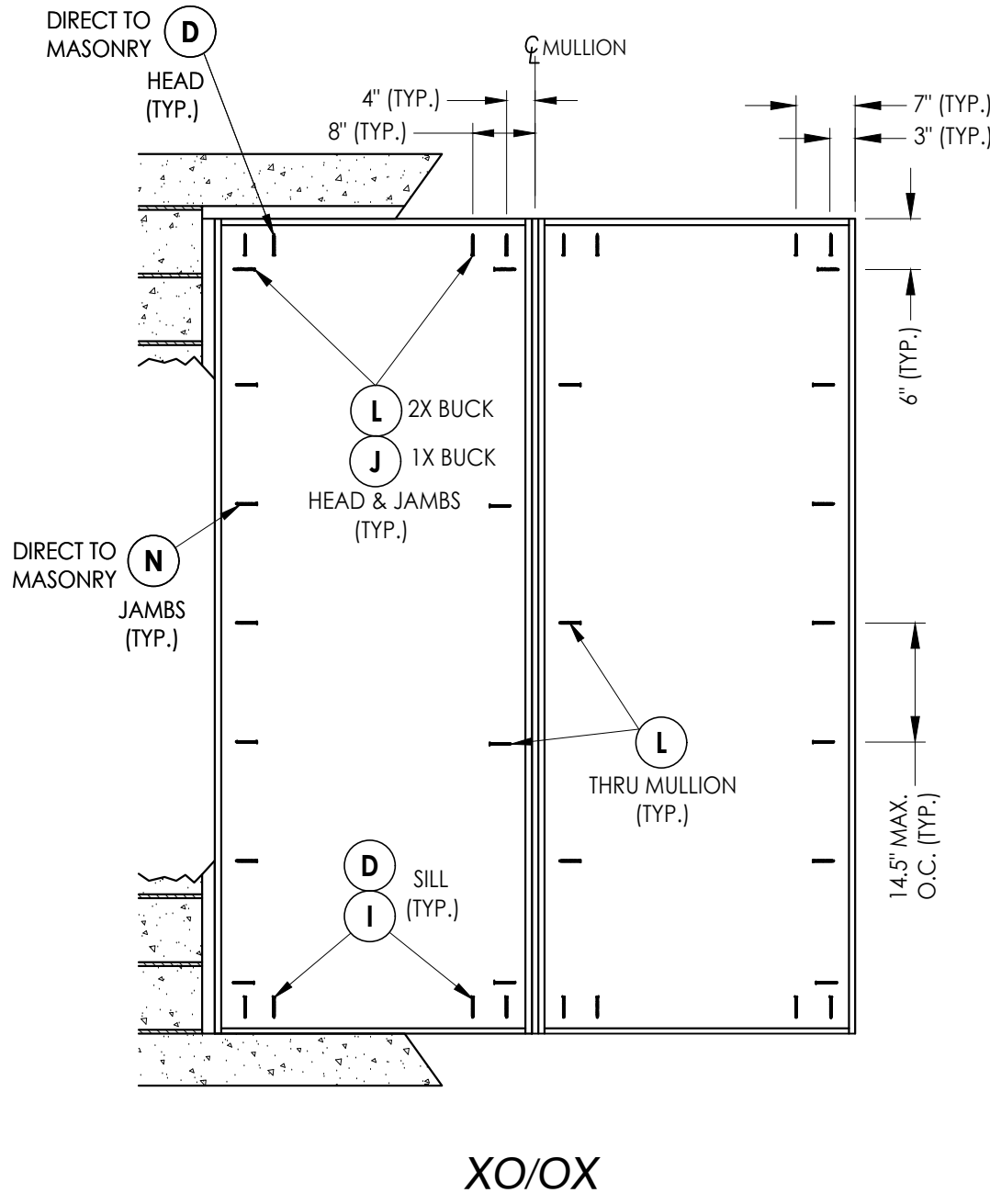
NO.	DATE	REVISIONS
4	8/22/23	UPDATE TO 8TH ED. (2023) FBC LFS
3	7/15/20	UPDATE TO 7th ED (2020) FBC PO
2	10/09/18	REV. DOOR PANEL OPTION NOTE MT
1	10/15/17	ADD DEADBOLT 5-1/2" O. C. JK AND RECESSED PANEL NOTATION

DATE: 12/19/16
 SCALE: N.T.S.
 DWG. BY: JK
 CHK. BY: LFS
 DRAWING NO.: FL-21138.5
 SHEET 9 OF 14

PRODUCT: THERMA-TRU FIBERGLASS DOOR
 PART OR ASSEMBLY: BUCK ANCHORING

Documents Prepared By:
 Lyndon F. Schmidt
 P.E. No. 43409

RW BUILDING CONSULTANTS, INC.
 P.O. Box 230, Valrico, FL 33595
 Phone No.: 813.659.9197
 FBPE Registry No. 9813



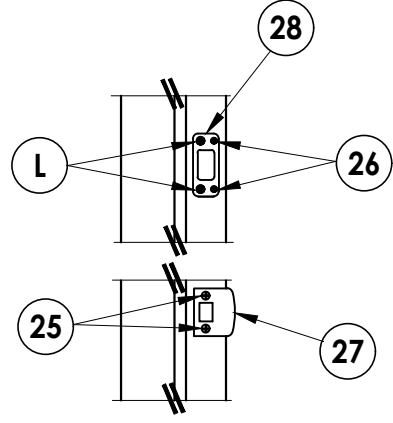
FRAME ANCHORING

NO.	DATE	REVISIONS
4	8/22/23	UPDATE TO 8TH ED. (2023) FBC
3	7/15/20	UPDATE TO 7th ED (2020) FBC
2	10/09/18	REV. DOOR PANEL OPTION NOTE
1	10/15/17	ADD DEADBOLT 5-1/2\"/>

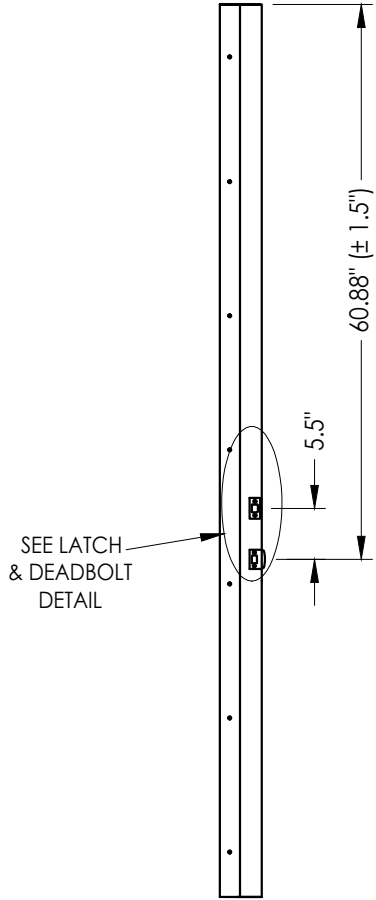
DATE: 12/19/16
 SCALE: N.T.S.
 DWG. BY: JK
 CHK. BY: LFS
 DRAWING NO.: FL-21138.5
 SHEET 10 OF 14

PRODUCT: THERMA-TRU FIBERGLASS DOOR
 PART OR ASSEMBLY: FRAME ANCHORING

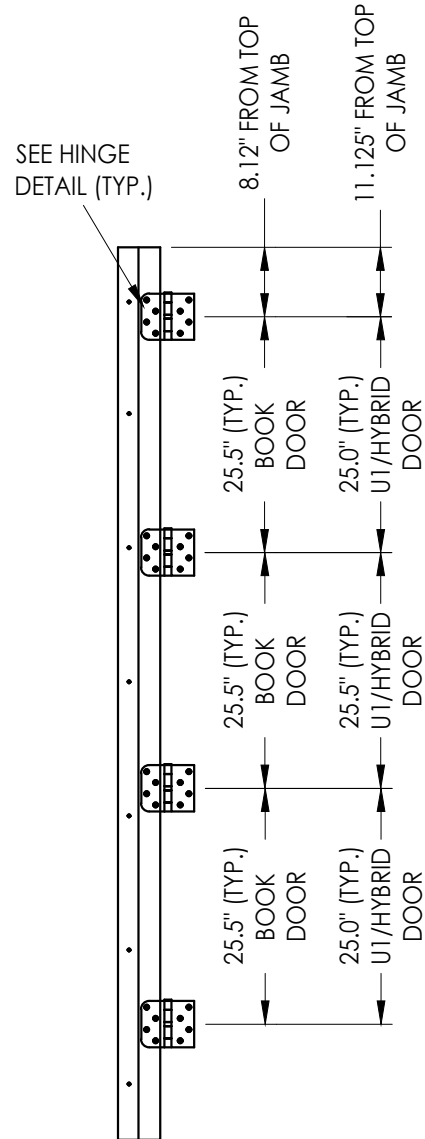
Documents Prepared By:
 Lyndon F. Schmidt
 P.E. No. 43409
 BUILDING CONSULTANTS, INC.
 P.O. Box 230, Valrico, FL 33595
 Phone No.: 813.659.9197
 FBPE Registry No. 9813



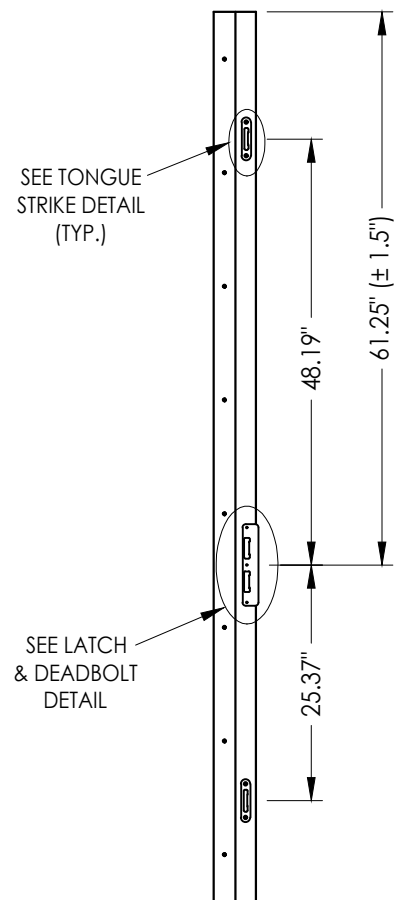
LATCH & DEADBOLT DETAIL
Kwikset



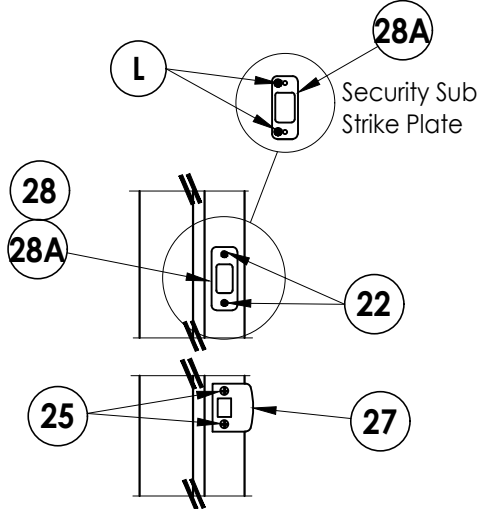
STRIKE JAMB
Latch and Deadbolt



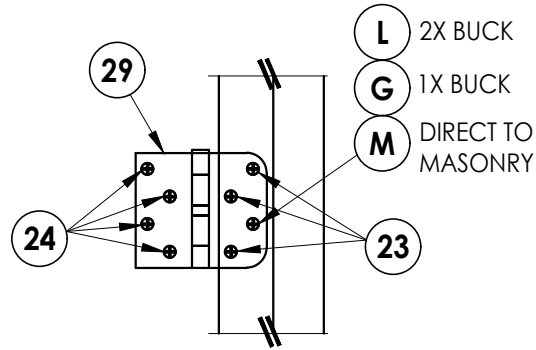
HINGE JAMB



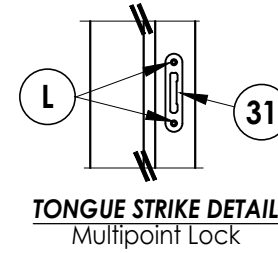
STRIKE JAMB
Multipoint Lock



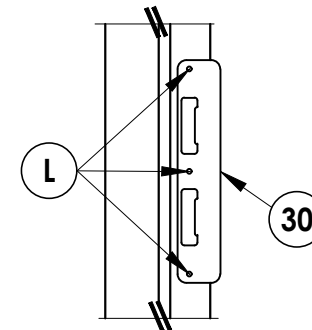
LATCH & DEADBOLT DETAIL
Schlage



HINGE DETAIL



TONGUE STRIKE DETAIL
Multipoint Lock



LATCH & DEADBOLT DETAIL
Multipoint Lock

LATCH & DEADBOLT STRIKE DETAILS

MULTIPOINT LOCK STRIKE DETAILS

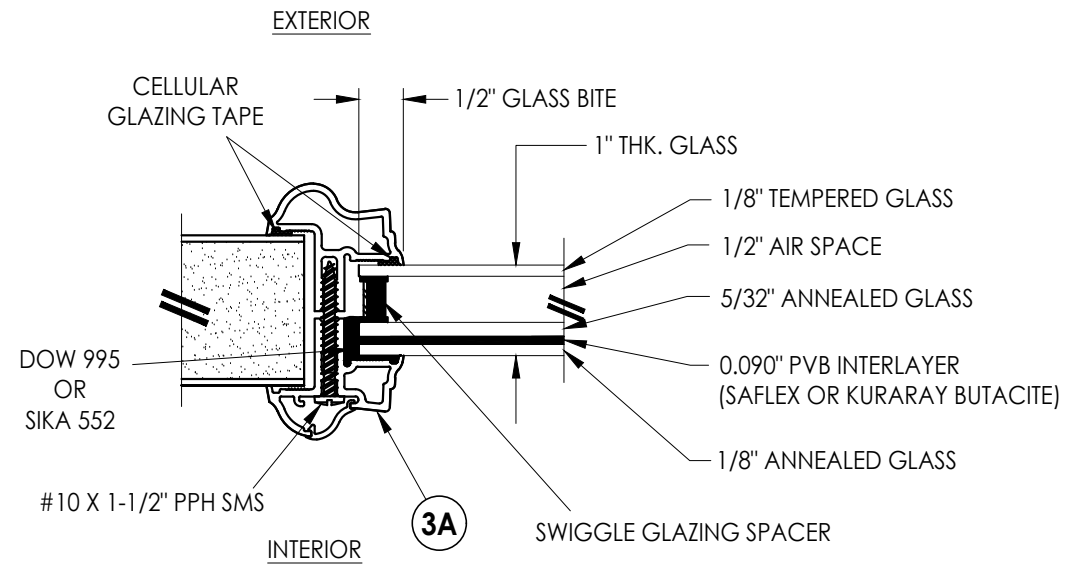
NO.	DATE	REVISIONS
4	8/22/23	UPDATE TO 8TH ED. (2023) FBC LFS
3	7/15/20	UPDATE TO 7th ED (2020) FBC PO
2	10/09/18	REV. DOOR PANEL OPTION NOTE MT
1	10/15/17	ADD DEADBOLT 5-1/2" O. C. JK AND RECESSED PANEL NOTATION

DATE:	12/19/16
SCALE:	N.T.S.
DWG. BY:	JK
CHK. BY:	LFS
DRAWING NO.:	FL-21138.5
SHEET	11 OF 14

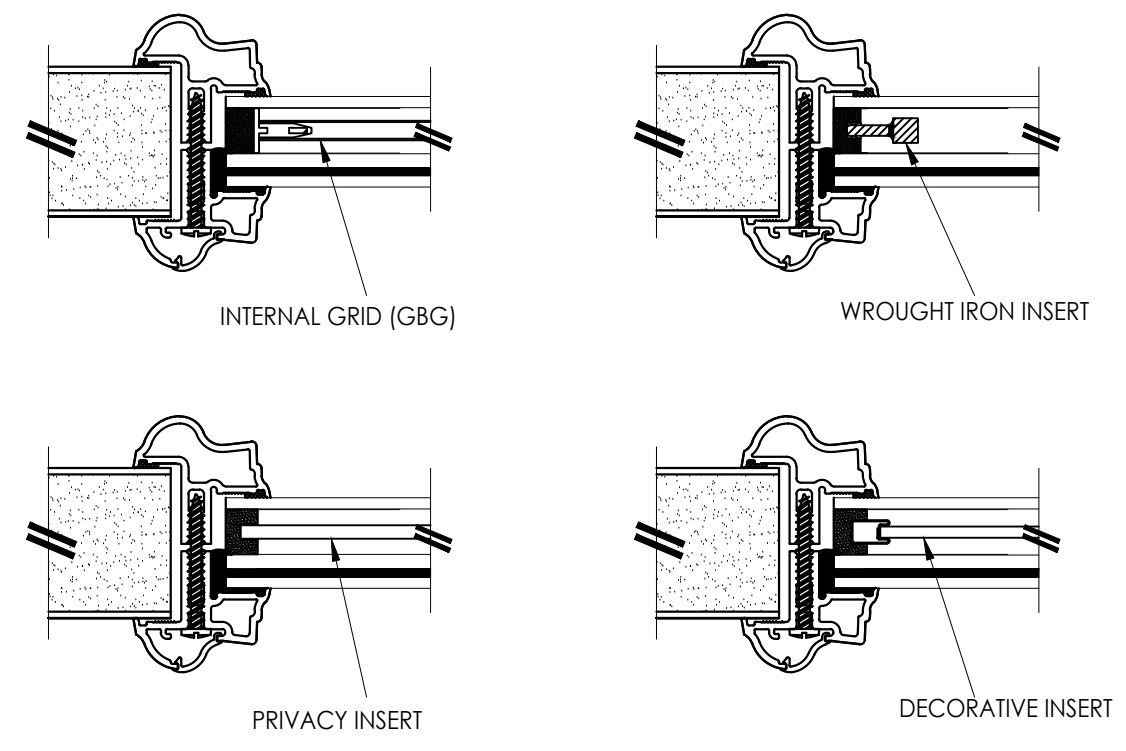
PRODUCT:	Therma-TRU FIBERGLASS DOOR
PART OR ASSEMBLY:	HARDWARE DETAILS

Documents Prepared By:
Lyndon F. Schmidt
P.E. No. 43409

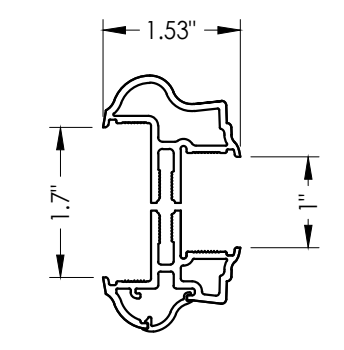
RW BUILDING CONSULTANTS, INC.
P.O. Box 230, Valrico, FL 33595
Phone No.: 813.659.9197
FBPE Registry No. 9813



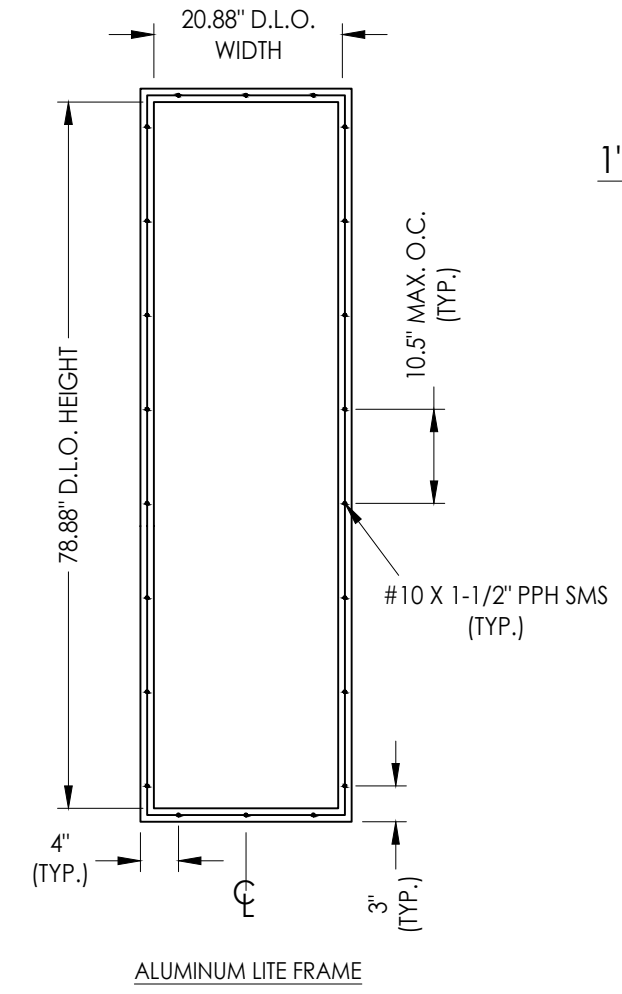
G1 GLAZING DETAIL
Aluminum Impact Lite Frame
Door Panels & Sidelites



1" LAMINATED INSULATED IMPACT GLASS INSERT OPTIONS



3A ALUMINUM FRAME
Aluminum Impact Lite Frame
Door Panels & Sidelites



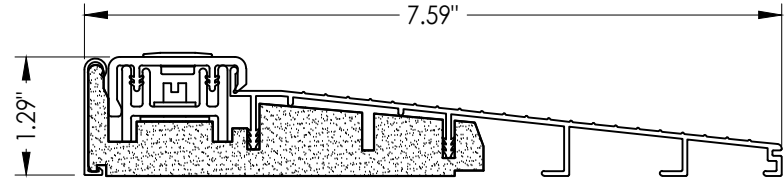
Documents Prepared By:
Lyndon F. Schmidt
P.E. No. 43409

R.W. BUILDING CONSULTANTS, INC.
P.O. Box 230, Valrico, FL 33595
Phone No.: 813.659.9197
FBPE Registry No. 9813

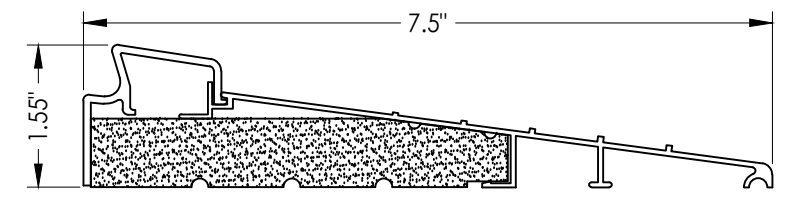
PRODUCT: THERMA-TRU FIBERGLASS DOOR
PART OR ASSEMBLY: GLAZING DETAILS

NO.	DATE	REVISIONS
4	8/22/23	UPDATE TO 8TH ED. (2023) FBC
3	7/15/20	UPDATE TO 7th ED (2020) FBC
2	10/09/18	REV. DOOR PANEL OPTION NOTE
1	10/15/17	ADD DEADBOLT 5-1/2" O. C. AND RECESSED PANEL NOTATION

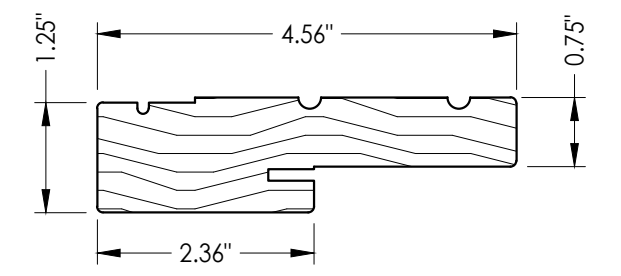
DATE: 8/02/16
SCALE: N.T.S.
DWG. BY: JK
CHK. BY: LFS
DRAWING NO.: FL-21138.5
SHEET 12 OF 14



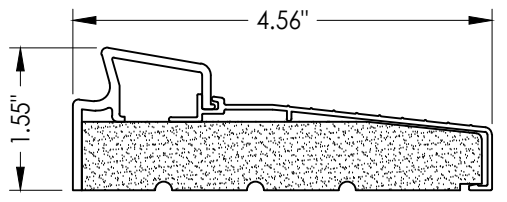
32 INSWING THRESHOLD
Inswing Basic Composite Adjustable Sill 7-1/2"



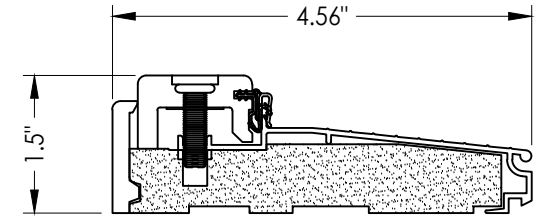
37 INSWING THRESHOLD
Inswing Basic Fixed 7-1/2" Sill



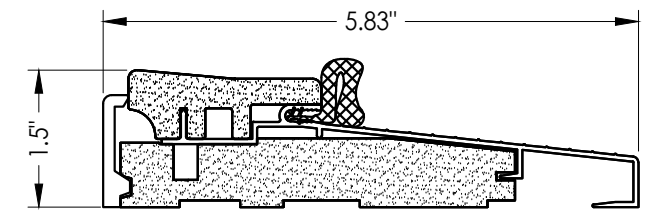
1 WOOD JAMB



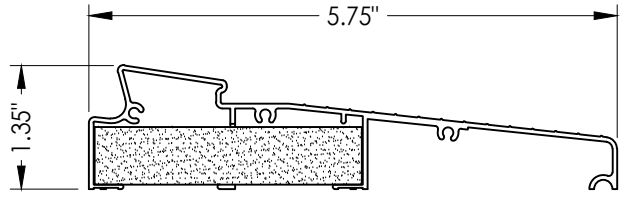
33 INSWING THRESHOLD
Inswing Basic Fixed Sill



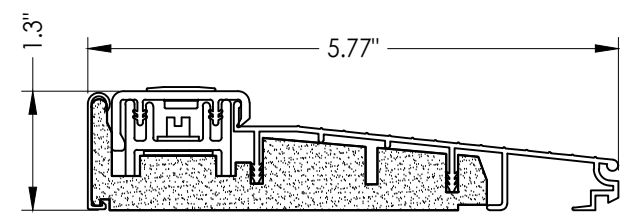
38 INSWING THRESHOLD
Inswing Composite Adjustable Sill



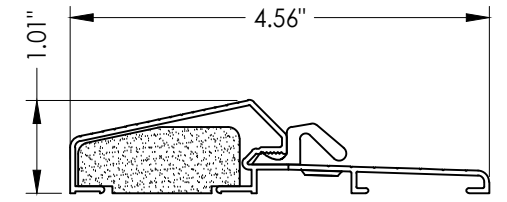
16 OUTSWING THRESHOLD
Composite Sill



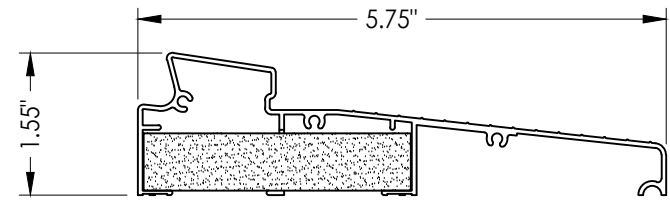
34 INSWING THRESHOLD
Inswing Moderate Climate Sill 1-3/8"



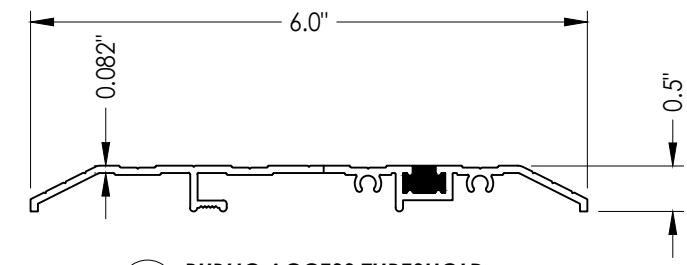
39 INSWING THRESHOLD
Inswing Basic Composite Adjustable Sill



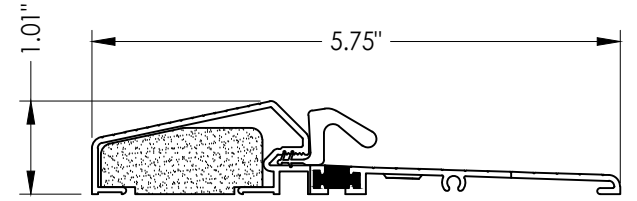
17 OUTSWING THRESHOLD
Composite / Aluminum Sill



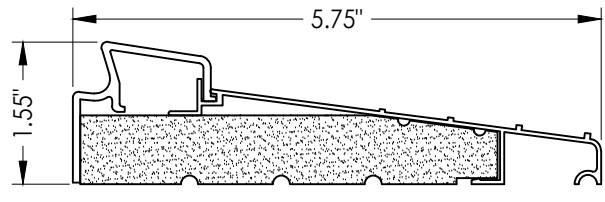
35 INSWING THRESHOLD
Inswing Moderate Climate Sill



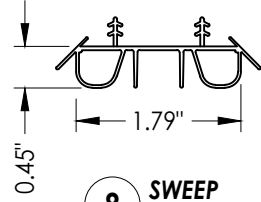
15 PUBLIC ACCESS THRESHOLD



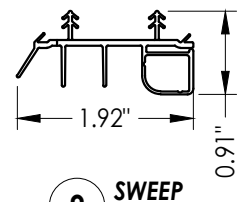
18 OUTSWING THRESHOLD
Composite / Aluminum Sill
(Thermal Break)



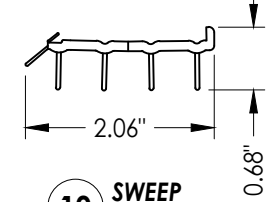
36 INSWING THRESHOLD
Inswing Basic Fixed 5-3/4" Sill



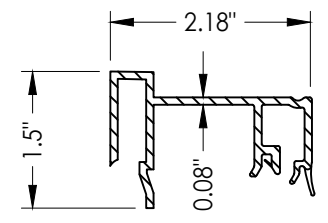
8 SWEEP



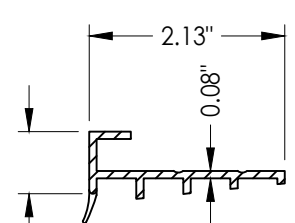
9 SWEEP



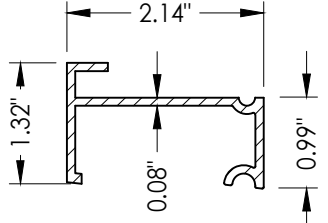
10 SWEEP



75 SIDELITE SPACER
Inswing



76 SIDELITE SPACER
Outswing



77 SIDELITE SPACER
Inswing
Moderate Climate Threshold

Documents Prepared By:
Lyndon F. Schmidt
P.E. No. 43409

RW BUILDING CONSULTANTS, INC.
P.O. Box 230, Valrico, FL 33595
Phone No.: 813.659.9197
FBPE Registry No. 9813

PRODUCT:
THERMA-TRU
FIBERGLASS DOOR

PART OR ASSEMBLY:

COMPONENTS

NO.	DATE	REVISIONS
4	8/22/23	UPDATE TO 8TH ED. (2023) FBC
3	7/15/20	UPDATE TO 7th ED (2020) FBC
2	10/09/18	REV. DOOR PANEL OPTION NOTE
1	10/15/17	ADD DEADBOLT 5-1/2" O. C. AND RECESSED PANEL NOTATION

DATE:	12/19/16
SCALE:	N.T.S.
DWG. BY:	JK
CHK. BY:	LFS
DRAWING NO.:	FL-21138.5
SHEET	13 OF 14

BILL OF MATERIALS			BILL OF MATERIALS		
ITEM #	DESCRIPTION	MATERIAL	ITEM #	DESCRIPTION	MATERIAL
A	1X BUCK (SG >= 0.42)	WOOD	25	#8 x 2-1/2" PFH WOOD SCREW	STEEL
B	2X BUCK (SG >= 0.42)	WOOD	26	#8 x 5/8" PFH WOOD SCREW	STEEL
C	1/4" MAX. SHIM SPACE	-	27	LATCH STRIKE PLATE	STEEL
D	1/4" X 2-3/4" PFH DeWALT OR ITW CONCRETE SCREW	STEEL	28	DEADBOLT STRIKE PLATE	STEEL
E	MASONRY - 3,000 PSI MIN. CONCRETE CONFORMING TO ACI 301 OR HOLLOW BLOCK CONFORMING TO ASTM C90	CONCRETE	28A	DEADBOLT SUB STRIKE PLATE	STEEL
			29	4" X 4" HINGE	STEEL
F	#10 X 2" PFH WOOD SCREW	STEEL	30	LATCH & DEADBOLT STRIKE PLATE (TONGUE SYSTEM)	ALUM/COMP
G	3/16" X 3-1/4" ITW CONCRETE SCREW	STEEL	31	MULTIPOINT STRIKE PLATE (TONGUE SYSTEM)	ALUM/COMP
I	1/4" X 1-3/4" PFH DeWALT OR ITW CONCRETE SCREW	STEEL	32	INSWING THRESHOLD	ALUM/COMP
J	1/4" X 3-3/4" PFH DeWALT OR ITW CONCRETE SCREW	STEEL	33	INSWING THRESHOLD	ALUM/COMP
L	#10 X 2-1/2" PFH WOOD SCREW (1.15" MIN. EMBEDMENT)	STEEL	34	INSWING THRESHOLD	ALUM/COMP
M	3/16" X 2-1/4" ITW CONCRETE SCREW	STEEL	35	INSWING THRESHOLD	ALUM/COMP
N	3/16" X 2-3/4" ITW CONCRETE SCREW	STEEL	36	INSWING THRESHOLD	ALUM/COMP
1	JAMB (FINGER JOINT PINE)	WOOD	37	INSWING THRESHOLD	ALUM/COMP
6	WEATHERSTRIP (MEDIUM REACH)	FOAM	38	INSWING THRESHOLD	ALUM/COMP
7	WEATHERSTRIP (LONG REACH)	FOAM	39	INSWING THRESHOLD	ALUM/COMP
8	SWEEP	VINYL	40	DOOR PANEL (BOOK)	-
9	SWEEP (USE w/ MODERATE CLIMATE THRESHOLD)	VINYL	41	DOOR PANEL (HYBRID)	-
10	SWEEP (USE w/ PUBLIC ACCESS THRESHOLD)	VINYL	42	DOOR PANEL (U1)	-
15	PUBLIC ACCESS THRESHOLD	ALUM	50	SIDELITE (FULL LITE)	-
16	OUTSWING THRESHOLD	ALUM/COMP	75	SIDELITE SPACER (INSWING)	PVC
17	OUTSWING THRESHOLD	ALUM/COMP	76	SIDELITE SPACER (OUTSWING)	PVC
18	OUTSWING THRESHOLD	ALUM/COMP	77	SIDELITE SPACER (INSWING) - MODERATE CLIMATE SILL	PVC
22	#8 x 3/4" PFH WOOD SCREW	STEEL	88	1X MULLION (SG >= 0.55)	WOOD
23	#10 x 3/4" PFH WOOD SCREW	STEEL			
24	#10 x 1" PFH WOOD SCREW	STEEL			

CONCRETE ANCHOR NOTES:

- Concrete anchor locations at the corners may be adjusted to maintain the min. edge distance to mortar joints.
- Concrete anchor locations noted as "MAX. ON CENTER" must be adjusted to maintain the min. edge distance to mortar joints, additional concrete anchors may be required to ensure the "MAX. ON CENTER" dimension are not exceeded.
- Concrete anchor table:

ANCHOR TYPE	ANCHOR SIZE	MIN. EMBEDMENT	MIN. CLEARANCE TO MASONRY EDGE	MIN. CLEARANCE TO ADJACENT ANCHOR
ITW TAPCON®	1/4"	1-1/4"	2"	4"
DeWALT ULTRACON+®	1/4"	1-1/4"	1"	4"
ITW TAPCON®	3/16"	1-1/4"	AS SHOWN	1-1/2"

WOOD SCREW INSTALLATION NOTES:

- Maintain a minimum 5/8" edge distance, 1" end distance, & 1" o.c. spacing of wood screws to prevent the splitting of wood.

Documents Prepared By:
Lyndon F. Schmidt
P.E. No. 43409

RW BUILDING CONSULTANTS, INC.
P.O. Box 230, Vairico, FL 33595
Phone No.: 813.659.9197
FBPE Registry No. 9813

PRODUCT:
THERMA-TRU
FIBERGLASS DOOR

PART OR ASSEMBLY:
BILL OF MATERIALS

	8/22/23	UPDATE TO 8TH ED. (2023)	FBC	LFS
4	3	7/15/20	UPDATE TO 7th ED (2020)	FBC
2	10/09/18	REV. DOOR PANEL OPTION	NOTE	MT
1	10/15/17	ADD DEADBOLT 5-1/2" O. C. AND RECESSED PANEL NOTATION		JK
	NO.	DATE		BY

DATE: 12/19/16
SCALE: N.T.S.
DWG. BY: JK
CHK. BY: LFS
DRAWING NO.: FL-21138.5
SHEET 14 OF 14